

50-600

WATTS DC/DC CONVERTERS

SINGLE OUTPUT

Large range of models and accessories

Parallel function with current sharing

Power good signal

Remote control

Auxiliary outputs

High efficiency

Wide operating temperature range

High reliability

Guarantee 2 years

a) The PH series offers the largest range of high density DC/DC modules from 60-600W, with inputs ranging from 18-400VDC and outputs from 2-48V DC. Full function models have current sharing and module good signals making them ideal for N +1 applications.

b) The wide operating temperature range permits use in external applications without derating (-40°C start up available on request).

INPUT

Input voltage range	18 to 36 VDC for model 24V
	36 to 76 VDC for model 48V
	82 to 185 VDC for model 110V
	200 to 400 VDC for model 280V

OUTPUT

Power	50 to 600 W
Output adjustable	±10% simple / -60%/+20% Full
Line regulation	0.4%
Load regulation	0.8%
Ripple and noise (value peak to peak)	100mV for models 2V and 5V ≤1% for models ≥12VDC
Current limit	Constant current
Over voltage protection	inverter shutdown - manual reset

GENERAL

Thermal protection	inverter shutdown - manual reset
Efficiency	68 to 90% model dependent
Cooling	conduction
Voltage isolation :	
Input-output	3 KVAC
Input-ground	2.5 KVAC
Output-ground	500 VDC
Parallel operation	Full function models only
Series	possible

ENVIRONMENTAL

Operating temperature range	-20°C to +85°C (baseplate) up to +100°C for PH300S/600S (-40°C as an option)
Derating	start up of PH300S and PH600S (consult Technical Sales)
Shock	20 G
Vibration	10 ~ 55HZ amplitude (Sweep for 1 min) amplitude 0.825 mm constant (5G max) 1 hour on each axis

Volts	Amp. max.	Watts Input nom.	Model Input 24V	Model Input 48V	Model Input 110V	Model Input 280V
Full Function						
2.0	15.00	30	-	PH75F48-2	PH75F110-2	PH75F280-2
2.0	20.00	40	PH100F24-2	-	-	-
2.0	30.00	60	-	PH150F48-2	PH150F110-2	PH150F280-2
2.0	60.00	120	-	PH300F48-2	PH300F110-2	PH300F280-2
3.3	15.00	45	-	PH75F48-3	PH75F110-3	PH75F280-3
3.3	20.00	60	PH100F24-3	-	-	-
3.3	30.00	90	-	PH150F48-3	PH150F110-3	PH150F280-3
3.3	60.00	180	-	PH300F48-3	PH300F110-3	PH300F280-3
5.0	15.00	75	-	PH75F48-5	PH75F110-5	PH75F280-5
5.0	20.00	100	PH100F24-5	-	-	-
5.0	30.00	150	-	PH150F48-5	PH150F110-5	PH150F280-5
5.0	60.00	300	-	PH300F48-5	PH300F110-5	PH300F280-5
12.0	6.30	75	-	PH75F48-12	PH75F110-12	PH75F280-12
12.0	8.40	100	PH100F24-12	-	-	-
12.0	12.50	150	-	PH150F48-12	PH150F110-12	PH150F280-12
12.0	25.00	300	-	PH300F48-12	PH300F110-12	PH300F280-12
15.0	5.00	75	-	PH75F48-15	PH75F110-15	PH75F280-15
15.0	6.70	100	PH100F24-15	-	-	-
15.0	10.00	150	-	PH150F48-15	PH150F110-15	PH150F280-15
15.0	20.00	300	-	PH300F48-15	PH300F110-15	PH300F280-15
24.0	3.20	75	-	PH75F48-24	PH75F110-24	PH75F280-24
24.0	4.20	100	PH100F24-24	-	-	-
24.0	6.30	150	-	PH150F48-24	PH150F110-24	PH150F280-24
24.0	12.60	300	-	PH300F48-24	PH300F110-24	PH300F280-24
28.0	2.70	50	-	PH75F48-28	PH75F110-28	PH75F280-28
28.0	3.60	100	PH100F24-28	-	-	-
28.0	5.40	150	-	PH150F48-28	PH150F110-28	PH150F280-28
28.0	10.80	300	PH300F24-28	PH300F48-28	PH300F110-28	PH300F280-28

Volts	Amp. max.	Watts Input nom.	Model Input 24V	Model Input 48V	Model Input 110V	Model Input 280V
Simple Function						
3.3	10.00	33	PH50S24-3	PH50S48-3	-	PH50S280-3
3.3	15.00	49.5	-	PH75S48-3	-	PH75S280-3
3.3	20.00	66	-	PH100S48-3	-	PH100S280-3
3.3	30.00	99	-	PH150S48-3	-	PH150S280-3
3.3	50.00	181.5	-	PH300S48-3	-	PH300S280-3
3.3	100.00	330	-	-	-	PH600S280-3
5.0	10.00	50	PH50S24-5	PH50S48-5	PH50S110-5	PH50S280-5
5.0	15.00	75	-	PH75S48-5	PH75S110-5	PH75S280-5
5.0	20.00	100	-	PH100S48-5	-	PH100S280-5
5.0	30.00	150	-	PH150S48-5	PH150S110-5	PH150S280-5
5.0	50.00	275	-	PH300S48-5	-	PH300S280-5
5.0	100.00	500	-	-	-	PH600S280-5
12.0	4.20	50	PH50S24-12	PH50S48-12	PH50S110-12	PH50S280-12
12.0	6.30	75	-	PH75S48-12	PH75S110-12	PH75S280-12
12.0	8.40	100	-	PH100S48-12	-	PH100S280-12
12.0	12.50	150	-	PH150S48-12	PH150S110-12	PH150S280-12
12.0	25.00	300	-	PH300S48-12	-	PH300S280-12
12.0	50.00	600	-	-	-	PH600S280-12
15.0	3.40	50	PH50S24-15	PH50S48-15	PH50S110-15	PH50S280-15
15.0	5.00	75	-	PH75S48-15	PH75S110-15	PH75S280-15
15.0	6.70	100	-	PH100S48-15	-	PH100S280-15
15.0	10.00	150	-	PH150S48-15	PH150S110-15	PH150S280-15
15.0	20.00	300	-	PH300S48-15	-	PH300S280-15
15.0	40.00	600	-	-	-	PH600S280-15
24.0	2.10	50	PH50S24-24	PH50S48-24	PH50S110-24	PH50S280-24
24.0	3.20	75	-	PH75S48-24	PH75S110-24	PH75S280-24
24.0	4.20	100	-	PH100S48-24	-	PH100S280-24
24.0	6.30	150	-	PH150S48-24	PH150S110-24	PH150S280-24
24.0	12.50	300	-	PH300S48-24	-	PH300S280-24
24.0	25.00	600	-	-	-	PH600S280-24
28.0	1.80	50	PH50S24-28	PH50S48-28	PH50S110-28	PH50S280-28
28.0	2.70	75	-	PH75S48-28	PH75S110-28	PH75S280-28
28.0	3.60	100	-	PH100S48-28	-	PH100S280-28
28.0	5.40	150	-	PH150S48-28	PH150S110-28	PH150S280-28
28.0	10.71	300	-	PH300S48-28	-	PH300S280-28
28.0	21.43	600	-	-	-	PH600S280-28
48.0	6.25	300	-	PH300S48-48	-	PH300S280-48
48.0	12.50	600	-	-	-	PH600S280-48

SELECTION GUIDE

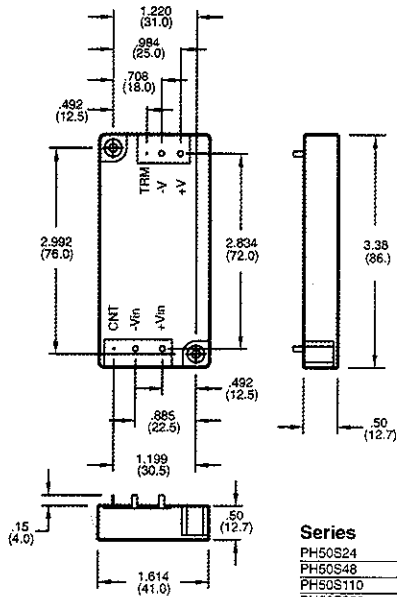
	Simple Function	Full Function
Output voltage adjustment	±10% except PH300S, PH600S : +20% / -10% for 3.3V, 5V and 48V outputs	-60% / +20%
Auxiliary functions	No except PH300S / PH600S	Yes
Parallel function with current sharing	No except PH300S / PH600S (with external circuit)	Yes
Power good signal	No except PH300S / PH600S	Yes

Series PH

LAMBDA 
An Invensys company

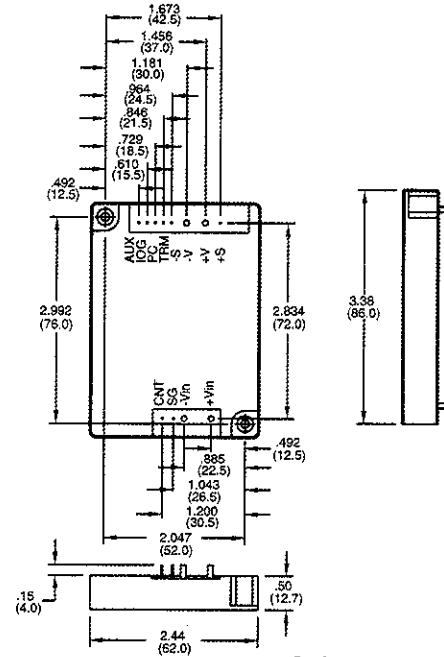
EDITION 2001

PH 50S/75S
Weight : 100g



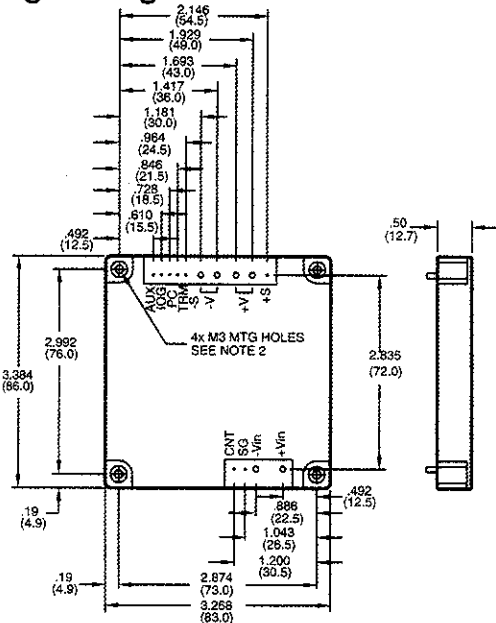
Series	Voltage
PH50S24	24V
PH50S48	48V
PH50S110	110V
PH50S280	280V
PH75S48	48V
PH75S110	110V
PH75S280	280V

PH 75F
Weight : 150g



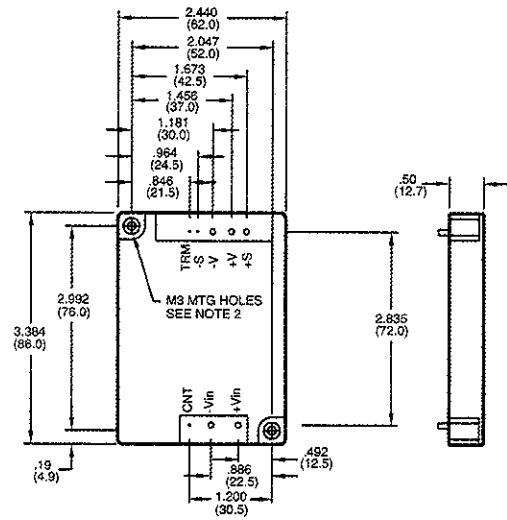
Series	Voltage
PH75F48	48V
PH75F110	110V
PH75F280	280V

PH 100F/150F
Weight : 180g



Series	Voltage
PH100F24	24V

PH 100S
Weight : 150g



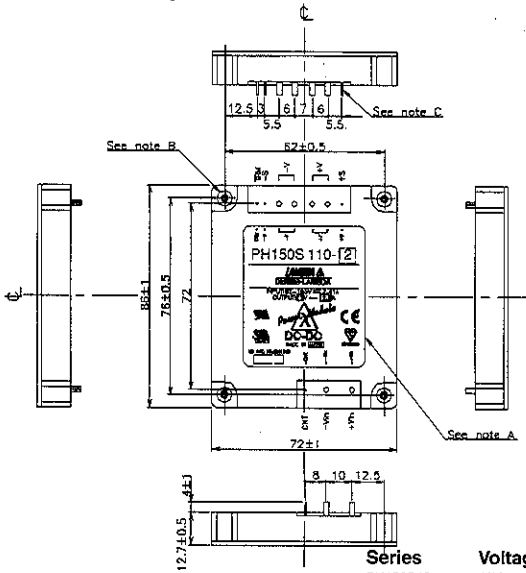
- 1- M3 tapped holes for chassis mounting
- 2- The dimensions are in inches and mm.

NB. Products viewed from below, not above.

EDITION 2001

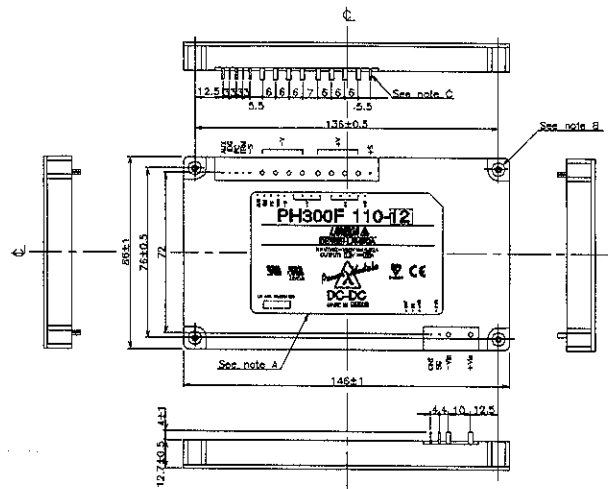


PH 150S
Weight : 150g

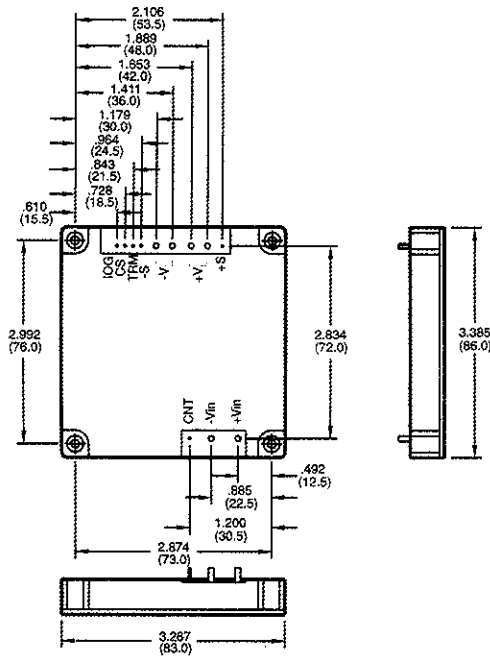


Series	Voltage
PH150S48	48V
PH150S110	110V
PH150S280	280V

PH 300F
Weight : 250g

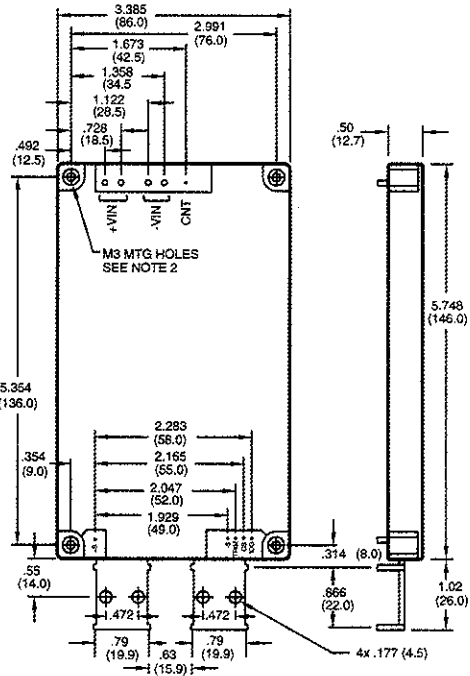


PH 300S
Weight : 200g



- 1- MS tapped holes for chassis mounting.
- 2- The dimensions are in inches and mm.

PH 600S
Weight : 400g



NB. Products viewed from below, not above.

Series PH

LAMBDA
An Invensys company