



50-200

WATTS

DC/DC CONVERTER

SINGLE/DUAL OUTPUT

- Wide range product family**
- Compact 'half-brick' module**
- Wide input range**
- Adjustable output voltage**
- Remote on/off**
- Remote sense (single output)**
- Guarantee 2 years**

INPUT

Input voltage range:	36-76VDC
Input surge voltage:	90VDC for 1 second

SINGLE OUTPUT

Output power:	50 to 200W
Adjustable output:	models 2.5 and 3.3V: $\pm 10\%$ model 5V: -40 +15%; other models: -40 +10%
Line regulation:	0.2% maxi
Ripple and noise (value peak to peak)	$\leq 5V$ 150mV 12-15V 200mV 24V 240mV 28V 280mV
Overcurrent protection:	105 to 150% automatic recovery
Overvoltage protection:	model 2.5V: 120 to 160% model 3.3V: 120 to 140% other models: 125 to 145%

DUAL OUTPUT

Output power:	75W
Output voltage range:	$\pm 10\%$ on each output
Ripple & noise (value peak to peak)	Output 3.3V: 100mV Output 5V: 100mV
Over voltage protection:	105 to 165% automatic recovery
Overvoltage protection:	Output 3.3V: 155 to 140% Output 5V: 125 to 145%
Parallel operation:	No
Series operation:	No

GENERAL

Overtemperature protection:	Shutdown 105°C ~ 130°C auto restart when unit cools down
Efficiency:	75 to 88% model dependent
Cooling:	conduction cooled
Isolation voltage:	input - output: 1.5kVAC input - baseplate: 1.5kVAC (20mA for 1 minute) output - baseplate: 500VDC for 1 minute

GENERAL

Parallel operation:	No
Series operation:	Possible

ENVIRONMENTAL

Operating temperature:	-40° C ~ +100°C (base temperature)
Ambient temperature:	Min = -40°C
Shock:	196.1m/s ²
Vibration:	non operational, 10 ~ 55Hz amplitude (sweep 1 minute); 0.825mm Constant (Maximum 49.0m/s ²) X, Y, Z 1 hour each

TABLE OF MODELS

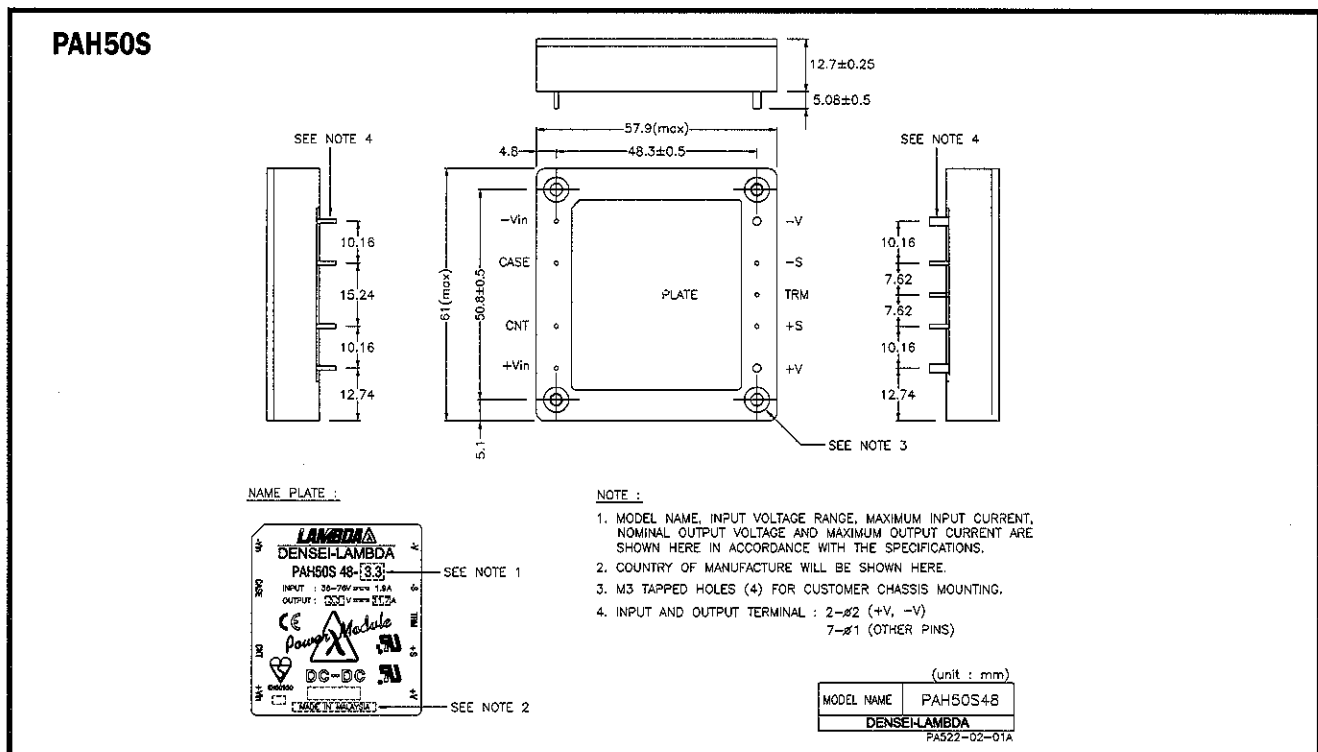
Model Name	Output voltage	Output current	Output power	UL	CSA	EN	Model Name	Output voltage	Output current	Output power	UL	CSA	EN		
PAH50S48 (input 48VDC)	PAH50S48-2.5	2.5V	11.7A	29.25W	○	○	○	PAH150S48 (input 48VDC)	PAH150S48-2.5	2.5V	35.0A	87.5W	○	○	○
	PAH50S48-3.3	3.3V	11.7A	38.61W	○	○	○		PAH150S48-3.3	3.3V	35.0A	115.5W	○	○	○
	PAH50S48-5	5V	10.0A	50.0W	○	○	○		PAH150S48-5	5V	30.0A	150.0W	○	○	○
	PAH50S48-12	12V	4.2A	50.4W	○	○	○		PAH150S48-12	12V	12.5A	150.0W	○	○	○
	PAH50S48-15	15V	3.4A	51.0W	○	○	○		PAH150S48-15	15V	10.0A	150.0W	○	○	○
	PAH50S48-24	24V	2.1A	50.4W	○	○	○		PAH150S48-24	24V	6.3A	151.2W	○	○	○
PAH75S48 (input 48VDC)	PAH75S48-2.5	2.5V	17.5A	43.75W	○	○	○	PAH200S48 (input 48VDC)	PAH200S48-12	12V	16.7A	200.4W	○	○	○
	PAH75S48-3.3	3.3V	17.5A	57.75W	○	○	○		PAH200S48-15	15V	13.4A	201.0W	○	○	○
	PAH75S48-5	5V	15.0A	75.0W	○	○	○		PAH200S48-24	24V	8.4A	201.6W	○	○	○
	PAH75S48-12	12V	6.3A	75.6W	○	○	○		PAH200S48-28	28V	7.2A	201.6W	○	○	○
	PAH75S48-15	15V	5.0A	75.0W	○	○	○								
	PAH75S48-24	24V	3.2A	76.8W	○	○	○								
PAH100S48 (input 48VDC)	PAH100S48-2.5	2.5V	23.4A	58.5W	○	○	○								
	PAH100S48-3.3	3.3V	23.4A	77.22W	○	○	○								
	PAH100S48-5	5V	20.0A	100.0W	○	○	○								
	PAH100S48-12	12V	8.4A	100.8W	○	○	○								
	PAH100S48-15	15V	6.7A	100.5W	○	○	○								
	PAH100S48-24	24V	4.2A	100.8W	○	○	○								

○: Safety standard approved

• Request customer specification for further details of specifications, outline characteristics, etc. Read the instruction manual before usage.

Model Name	CH	Output voltage	Output current	Output power	UL	CSA	EN
PAH75D48-5033 (input 48VDC)	CH1 (Vo1)	5V	15.0A	75W	○	○	○
	CH2 (Vo2)	3.3V	15.0A				
PAH75D48-3325	CH1 (Vo1)	3.3V	15.0A	60W		under approval	
	CH2 (Vo2)	2.5V	15.0A				
PAH75D48-3398	CH1 (Vo1)	3.3V	15.0A	50W		under approval	
	CH2 (Vo2)	1.8V	15.0A				

PHYSICAL SPECIFICATION

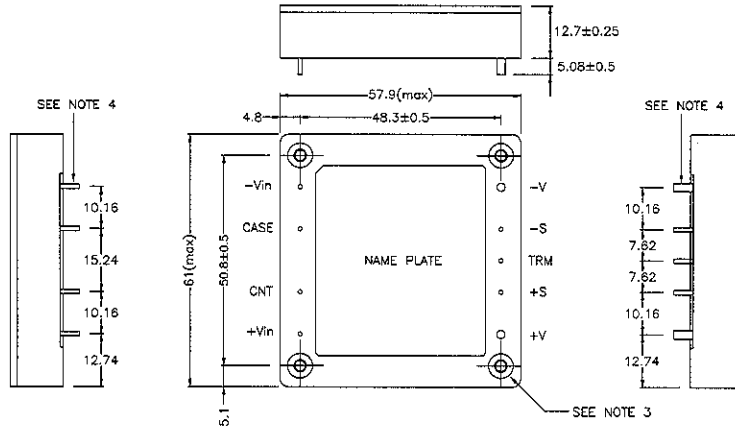


Series PAH/PAHD

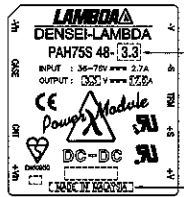
LAMBDA
An Invensys company

EDITION 2001

PAH75S



NAME PLATE :



SEE NOTE 1

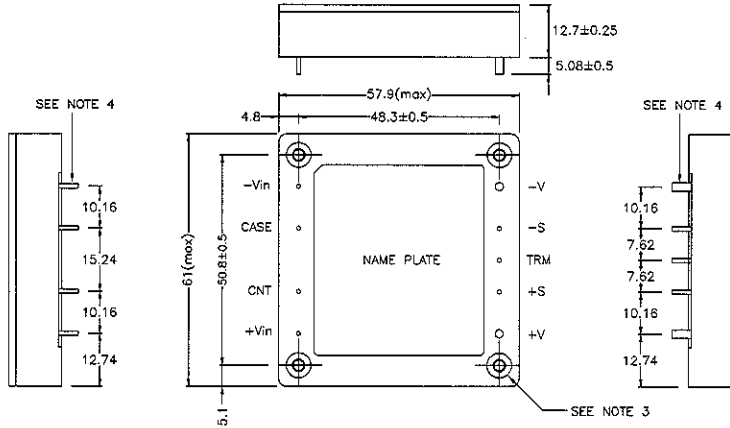
SEE NOTE 2

NOTE :

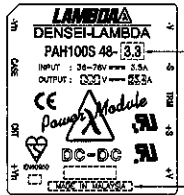
1. MODEL NAME, INPUT VOLTAGE RANGE, MAXIMUM INPUT CURRENT, NOMINAL OUTPUT VOLTAGE AND MAXIMUM OUTPUT CURRENT ARE SHOWN HERE IN ACCORDANCE WITH THE SPECIFICATIONS.
2. COUNTRY OF MANUFACTURE WILL BE SHOWN HERE.
3. M3 TAPPED HOLES (4) FOR CUSTOMER CHASSIS MOUNTING.
4. INPUT AND OUTPUT TERMINAL : 2-#2 (+V, -V)
7-#1 (OTHER PINS)

(unit : mm)

MODEL NAME	PAH75S48
DENSEI-LAMBDA	
PA549-02-01A	



NAME PLATE :



SEE NOTE 1

SEE NOTE 2

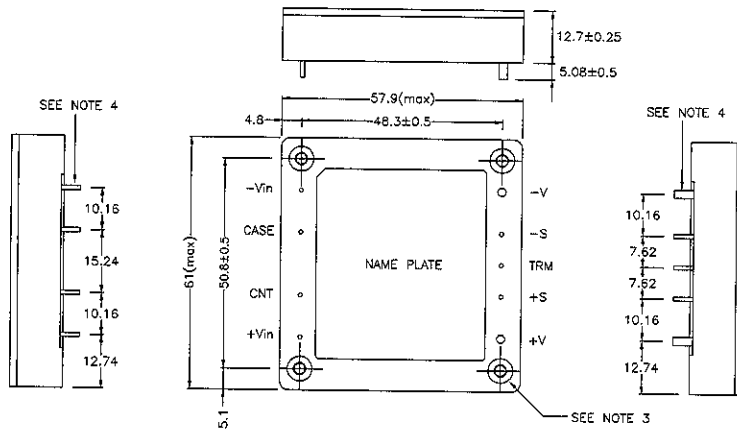
NOTE :

1. MODEL NAME, INPUT VOLTAGE RANGE, MAXIMUM INPUT CURRENT, NOMINAL OUTPUT VOLTAGE AND MAXIMUM OUTPUT CURRENT ARE SHOWN HERE IN ACCORDANCE WITH THE SPECIFICATIONS.
2. COUNTRY OF MANUFACTURE WILL BE SHOWN HERE.
3. M3 TAPPED HOLES (4) FOR CUSTOMER CHASSIS MOUNTING.
4. INPUT AND OUTPUT TERMINAL : 2-#2 (+V, -V)
7-#1 (OTHER PINS)

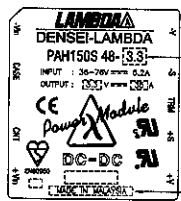
(unit : mm)

MODEL NAME	PAH100S48
DENSEI-LAMBDA	
PA551-02-01A	

PAH150S



NAME PLATE :



SEE NOTE 1
 SEE NOTE 2

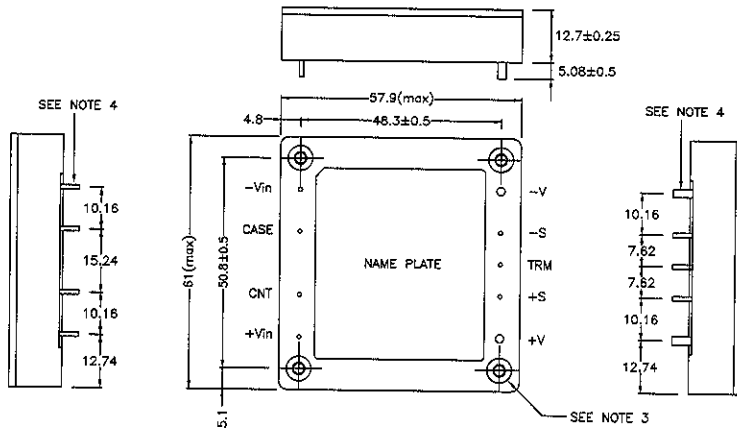
NOTE :

1. MODEL NAME, INPUT VOLTAGE RANGE, MAXIMUM INPUT CURRENT, NOMINAL OUTPUT VOLTAGE AND MAXIMUM OUTPUT CURRENT ARE SHOWN HERE IN ACCORDANCE WITH THE SPECIFICATIONS.
2. COUNTRY OF MANUFACTURE WILL BE SHOWN HERE.
3. M3 TAPPED HOLES (4) FOR CUSTOMER CHASSIS MOUNTING.
4. INPUT AND OUTPUT TERMINAL : 2-#2 (+V, -V)
7-#1 (OTHER PINS)

(unit : mm)

MODEL NAME	PAH150S48
DENSEI-LAMBDA	
PA548-02-01A	

PAH200S



NAME PLATE :



SEE NOTE 1
 SEE NOTE 2

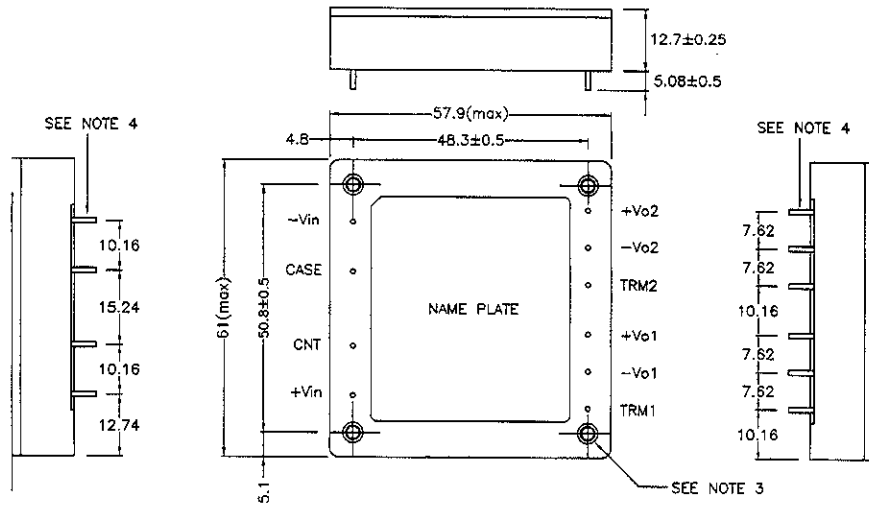
NOTE :

1. MODEL NAME, INPUT VOLTAGE RANGE, MAXIMUM INPUT CURRENT, NOMINAL OUTPUT VOLTAGE AND MAXIMUM OUTPUT CURRENT ARE SHOWN HERE IN ACCORDANCE WITH THE SPECIFICATIONS.
2. COUNTRY OF MANUFACTURE WILL BE SHOWN HERE.
3. M3 TAPPED HOLES (4) FOR CUSTOMER CHASSIS MOUNTING.
4. INPUT AND OUTPUT TERMINAL : 2-#2 (+V, -V)
7-#1 (OTHER PINS)

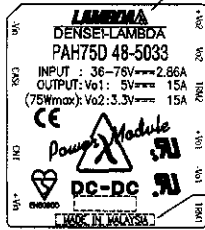
(unit : mm)

MODEL NAME	PAH200S48
DENSEI-LAMBDA	
PA554-02-01	

PAH75D



NAME PLATE :



NOTE :

1. MODEL NAME, INPUT VOLTAGE RANGE, MAXIMUM INPUT CURRENT, NOMINAL OUTPUT VOLTAGE AND MAXIMUM OUTPUT CURRENT ARE SHOWN HERE IN ACCORDANCE WITH THE SPECIFICATIONS.
2. COUNTRY OF MANUFACTURE WILL BE SHOWN HERE.
3. M3 TAPPED HOLES (4) FOR CUSTOMER CHASSIS MOUNTING.
4. INPUT AND OUTPUT TERMINAL : 10-Ø1.0

(unit : mm)

MODEL NAME	PAH75D48
DENSEI-LAMBDA	

PA550-02-01A