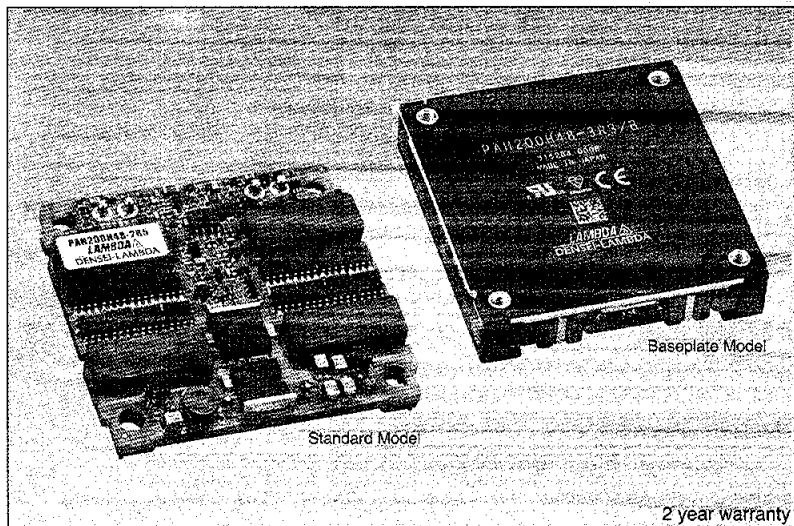


PAH200H-SERIES

High current High Efficiency Single Output 200W

LAMBDA
DENSEI-LAMBDA



Model name

PAH 200 H 48-1R8/

Series Name High Current Rated output voltage
Output Wattage Rated input voltage Option:

blank: On/Off control Negative logic OVP manual reset
P: On/Off control Positive logic OVP manual reset
V: On/Off control Negative logic OVP auto-recovery
PV: On/Off control Positive logic OVP auto-recovery
B: Baseplate type
C: 1 output terminal type

Features

- Low output voltage and high current line-up
- Low-profile type: 10.2mm high
- No need heat sinks: Convection cooling/ forced air cooling operation
- Wide range of operating temperature: -40°C to +85°C

Specifications

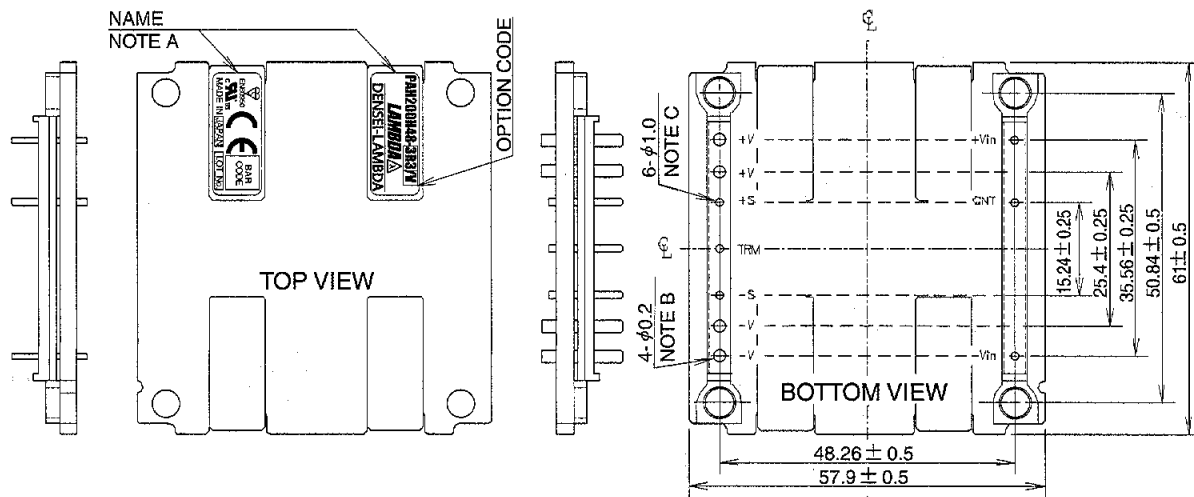
1. Input voltage range	36 - 76VDC (100VDC, 100ms)
2. Output voltage range	PAH200H48-2R5, PAH200H48-1R8: -20%, +10% PAH200H48-3R3: ± 15%
3. Line regulation	10mV
4. Load regulation	10mV
5. Cooling	Convection cooled / Forced air cooled
6. Operating ambient temperature	Ta = -40°C ~ +85°C (Output derating to be caused depending on temperature condition)
7. Withstand voltage	Input-Output : 1.5kVAC (20mA) for 1min
8. Safety standard	Approved by UL60950, CSA60950, and EN60950
9. Functions	On/Off control, Overcurrent protection, Overvoltage protection, Overtemperature protection

Product lineup

Model name	Input Voltage	Output voltage	Output current	Efficiency
PAH200H48-1R2	48VDC (36~76V)	1.2V	70A	82%
PAH200H48-1R5		1.5V	70A	84%
PAH200H48-1R8		1.8V	70A	87%
PAH200H48-2R5		2.5V	70A	88%
PAH200H48-3R3		3.3V	60A	90%

- Request customer specification for further details of specifications, outline, characteristics, etc. Read the instruction manual before usage.
- Contact us about delivery before ordering.
- PAH200H48-1R2 and PAH200H48-1R5 will be released in the spring of 2003.

■ Outline drawing(STD Model) For 1 output terminal type and Baseplate type, outline drawing differs from the following. Please see DENSEI-LAMBDA web site.



= NOTE =
A: Model name, country of manufacture, Lot No. and safety marking (BSI, C-UL-US & CE marking)
B: Output pin of +V and -V : 4-φ2.0
C: Signal and Input pin : 6-φ1.0

(Unit: mm)