

70-480

WATTS

POWER SUPPLY AC/DC

SINGLE OUTPUT

Universal input

PFC EN60001-3-2 compliant

**EMC conforms to EN 55022
and EN 55011**

Suitable for peak current demands

Low cost

Guarantee 5 years

INPUT

Input voltage range	85-265 VAC
Frequency	47-63Hz
Inrush current (to 200 VAC)	< 28 A (JWS 70P) < 50 A (JWS 120P) < 40 A (JWS 240P and 480P)

OUTPUT

Power (convection cooled)	70 to 480 W
Voltage adjustment	see table of models
Line regulation	0.4% max
Load regulation	0.8% max
Hold up	20 ms
Ripple and noise (value peak to peak)	24 V 120 mV 48 V 150 mV
Temperature coefficient	< 0.02%/°C
Over current protection	current limit
Over voltage protection	standard

GENERAL

Efficiency	80%
Voltage isolation :	
Input-output	3000 VAC
Input-ground	2000 VAC
Output-ground	500 VAC

ENVIRONMENTAL

Operating temperature	-10°C to +60°C	
Derating (typ)	-10°C to +50°C	100%
	+60°C	60%
Storage temperature	-30°C to +80°C	
Relative humidity		
operating	30% to 90%	
storage	10% to 95%	
Shock	< 20 G	
Vibration	2 G	
EMI	- Conducted and Radiated EN 55011 and EN 55022 class A - FCC class A - VCCI class A	

OUTLINE SPECIFICATION

PHYSICAL CHARACTERISTICS

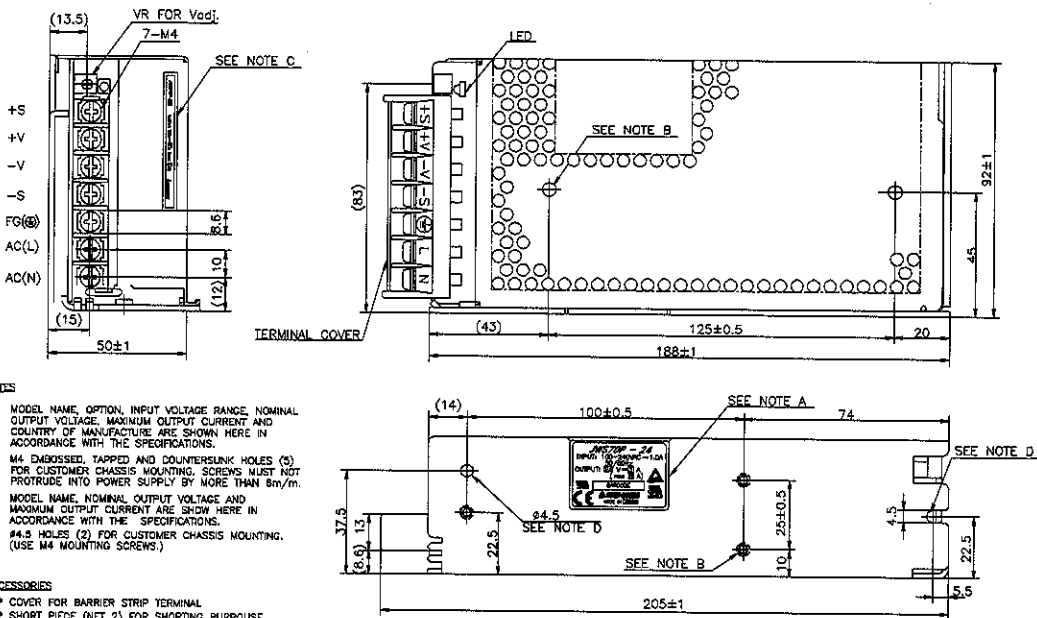
Dimensions	see physical specification
Connections	barrier strip
Format	enclosed

TABLE OF MODELS

Model	Case	Average power	Peak	Output		Peak output current Amp
				Volts	Amp	
JWS 70P 24	70	72	144	24 ± 10%	3	6
JWS 120P 24	120	120	240		5	10
JWS 240P 24	240	240	480	24 + 20% -10%	10	20
JWS 480P 24	480	480	960		20	40
JWS 70P 48	70	72	144	48 ± 10%	1.5	3
JWS 120P 48	120	120	240		2.5	5
JWS 240P 48	240	240	480		5	10
JWS 480P 48	480	480	960		10	20

PHYSICAL SPECIFICATION

JWS 70P Weight 0.7 kg



NOTES

- A: MODEL NAME, OPTION, INPUT VOLTAGE RANGE, NOMINAL OUTPUT VOLTAGE, MAXIMUM OUTPUT CURRENT AND COUNTRY OF MANUFACTURE ARE SHOWN HERE IN ACCORDANCE WITH THE SPECIFICATIONS.
- B: M4 EMBOSSED, TAPPED AND COUNTERSUNK HOLES (Φ) FOR CUSTOMER CHASSIS MOUNTING. SCREWS MUST NOT PROTRUDE INTO POWER SUPPLY BY MORE THAN 8mm.
- C: MODEL NAME, NOMINAL OUTPUT VOLTAGE AND MAXIMUM OUTPUT CURRENT ARE SHOWN HERE IN ACCORDANCE WITH THE SPECIFICATIONS.
- D: #4.5 HOLES (Φ) FOR CUSTOMER CHASSIS MOUNTING. (USE M4 MOUNTING SCREWS.)

ACCESSORIES

- * COVER FOR BARRIER STRIP TERMINAL
- * SHORT PIECE (NET 2) FOR SHORTING PURPOSE (+S~+V, -S~-V): MOUNTED AT TIME OF SHIPMENT.

MODEL NAME JWS70P

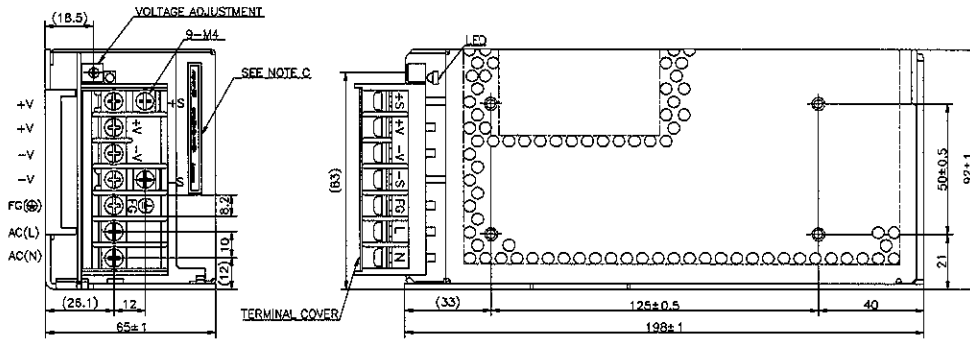
 A180-02-01

Series JWS(P)

LAMBDA
 An Invensys company

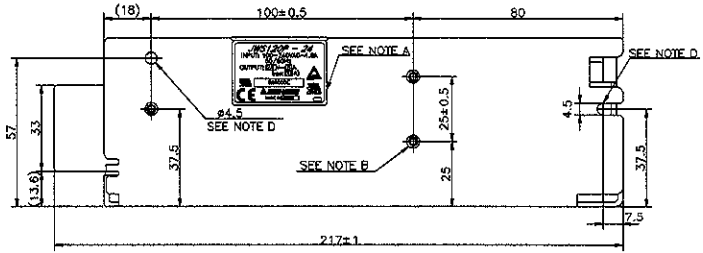
EDITION 2001

JWS 120P Weight 0.9 kg



- NOTES**
- A: MODEL NAME, OPTION, INPUT VOLTAGE RANGE, NOMINAL OUTPUT VOLTAGE, MAXIMUM OUTPUT CURRENT AND COUNTRY OF MANUFACTURE ARE SHOWN HERE IN ACCORDANCE WITH THE SPECIFICATIONS.
 - B: M4 EMBOSSED, TAPPED AND COUNTERSINK HOLES (7) FOR CUSTOMER CHASSIS MOUNTING. SCREWS MUST NOT PROTRUDE INTO POWER SUPPLY BY MORE THAN 6µm.
 - C: MODEL NAME, NOMINAL OUTPUT VOLTAGE AND MAXIMUM OUTPUT CURRENT ARE SHOWN HERE IN ACCORDANCE WITH THE SPECIFICATIONS.
 - D: 4.5 HOLES (2) FOR CUSTOMER CHASSIS MOUNTING. (USE M4 MOUNTING SCREWS.)

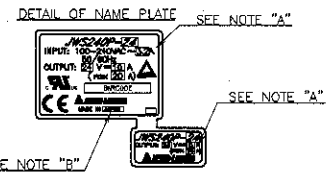
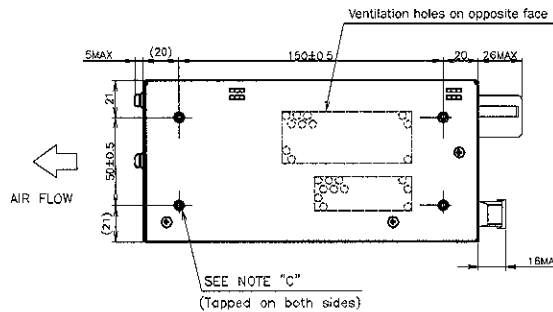
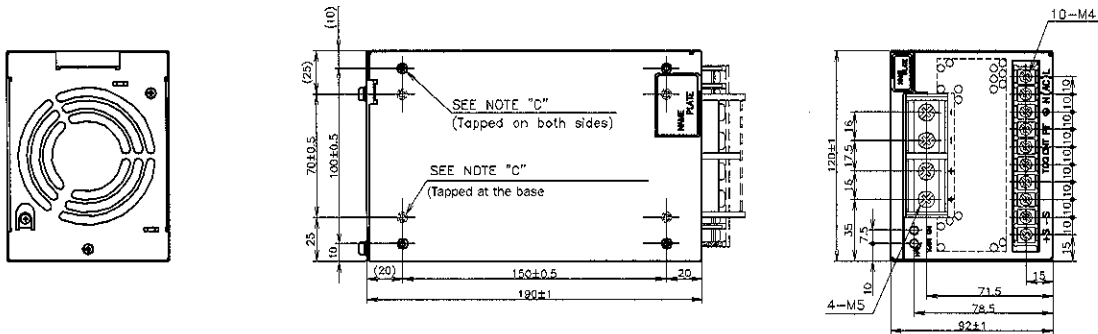
- ACCESSORIES**
- * COVER FOR BARRIER STRIP TERMINAL.
 - * SHORT PIECE (NET 2) FOR SHORTING PURPOSE (+S~+V, -S~-V); MOUNTED AT TIME OF SHIPMENT.



(unit: mm)
 MODEL NAME JWS120P

 A181-02-01X

JWS 240P Weight 1.9 kg



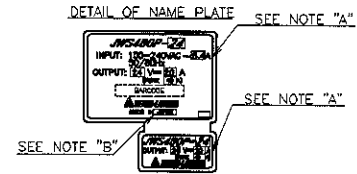
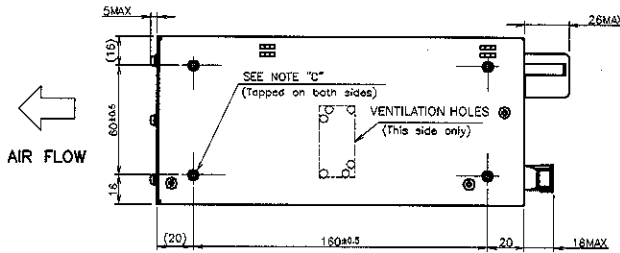
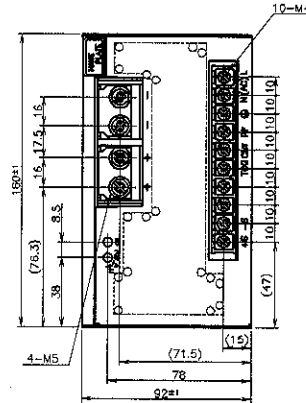
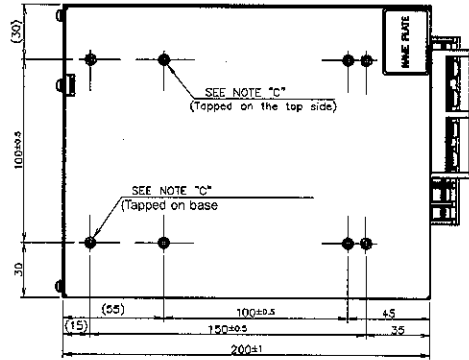
- ACCESSORIES**
- * Cover for barrier terminal strip ----- 2 (Mounted on terminal strip at time of shipment)
 - * Metal piece for shorting TIG & CNT ----- 1 (Mounted on terminal strip at time of shipment)
 - * Soldering wire ----- 2 (BROWN: + , BLUE: -)

- NOTES**
- A: Model name, nominal output voltage and maximum output current are shown here in accordance with the specifications.
 - B: Country of manufacture will be shown here.
 - C: M4 tapped holes (20) for customer chassis mounting. (Screws must not protrude into power supply by more than 6µm.)

(unit: mm)
 MODEL NAME JWS240P

 A162-02-01A

JWS 480P Weight 3 kg



— ACCESSORIES —

- Cover for barrier terminal strip ----- 2 (Mounted on terminal strip at time of shipment)
- Metal piece for shorting TOG & CNT ----- 1 (Mounted on terminal strip at time of shipment)
- Sensing wire (BROWN: +, BLUE: -) ----- 2

— NOTES —

- A: Model name, nominal output voltage and maximum output current are shown here in accordance with the specifications.
- B: Country of manufacture will be shown here.
- C: M4 tapped holes (16) for customer chassis mounting (Screws must not protrude into power supply by more than 6m/m).

(unit : mm)	
MODEL NAME	JWS480P
LAMBDA	
AI83-02-01	

Series JWS(P)

LAMBDA
 An Invensys company