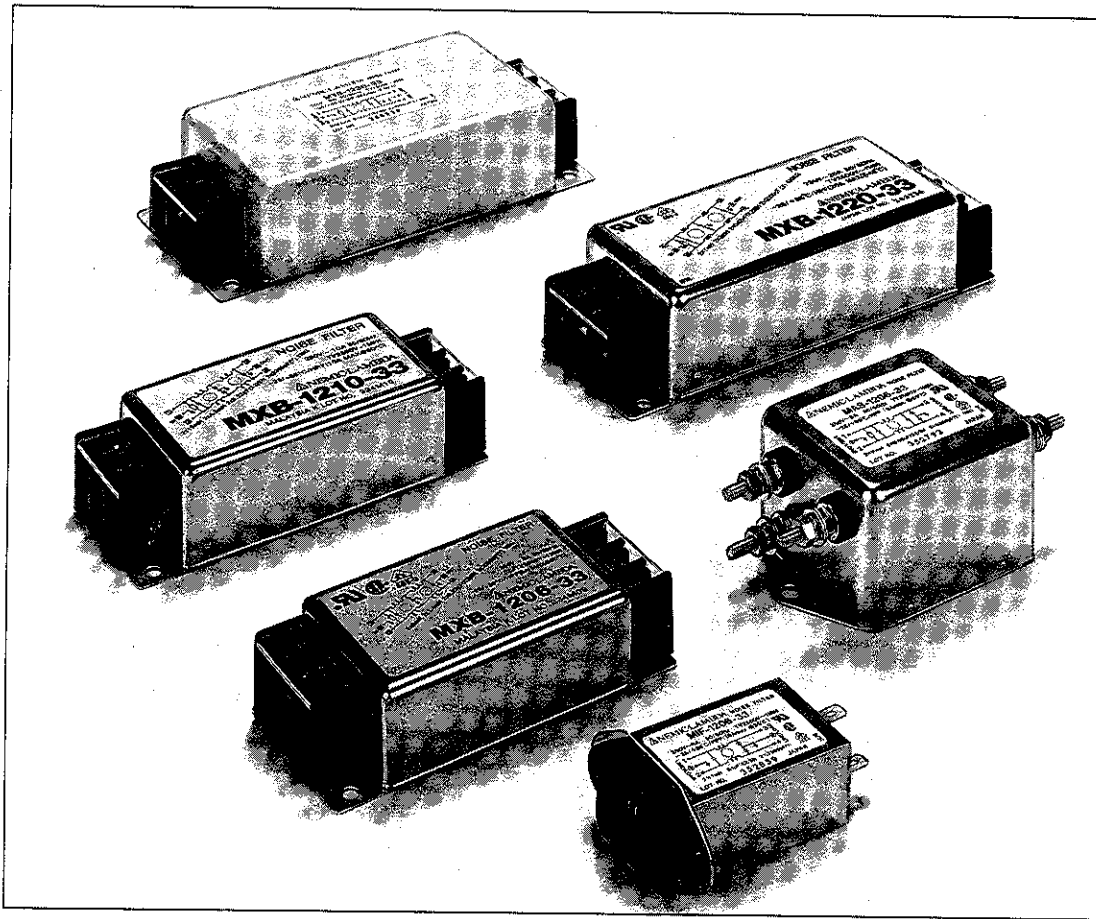


# Part IV – Accessories

## LAMBDA'S EMI FILTERS



**EMI FILTERS RATINGS TABLE**

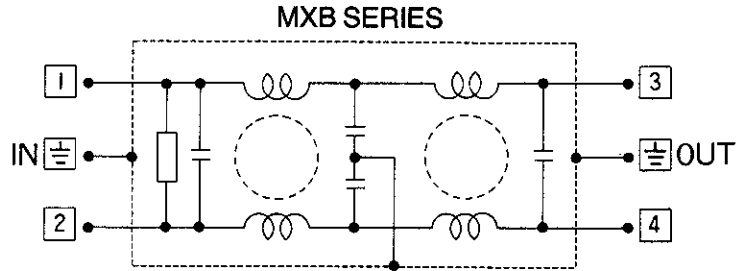
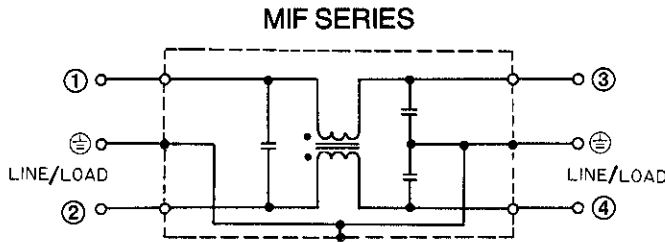
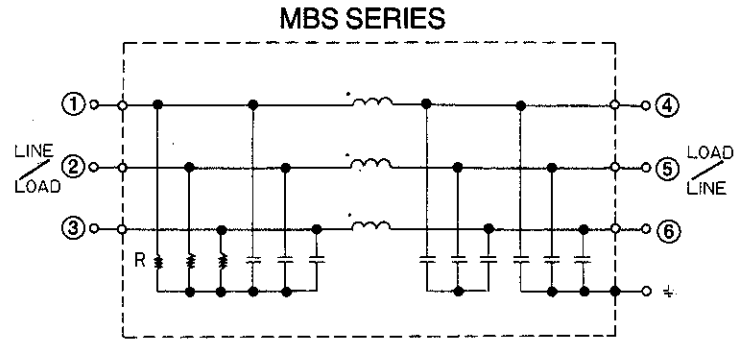
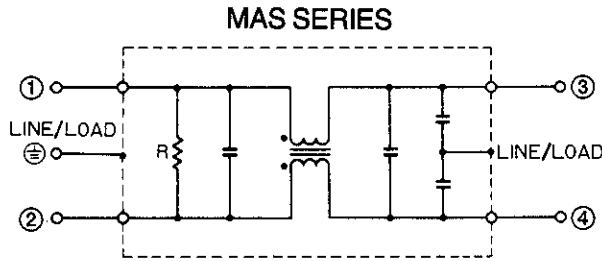
MODEL	TERMINAL TYPE	DC OHMS (max)	MAX CURRENT (AMPS) AT AMBIENT TEMPERATURE OF				UNIT PRICE PER DELIVERED QUANTITY		
			45°C	55°C	65°C	75°C	1	10	25
MAS-1206-33	Lug	0.10	6.0	6.0	5.1	3.6	\$ 40	\$ 38	\$ 36
MAS-1210-33	Lug	0.05	1.00	10.0	8.5	6.0	40	38	36
MAS-1215-33	Lug	0.03	15.0	15.0	12.8	9.0	40	38	36
MAS-1220-33	Lug	0.02	20.0	20.0	17.0	12.0	40	38	36
MIF-1201-33	IEC/Spade	0.80	1.0	1.0	0.9	0.6	24	23	22
MIF-1202-33	IEC/Spade	0.28	2.0	2.0	1.7	1.2	24	23	22
MIF-1203-33	IEC/Spade	0.13	3.0	3.0	2.6	1.8	24	23	22
MIF-1206-33	IEC/Spade	0.04	6.0	6.0	4.3	3.0	24	23	22
MXB-1206-33	Barrier Strip	0.30	6.0	5.4	4.5	3.3	50	48	45
MXB-1210-33	Barrier Strip	0.10	10.0	9.0	7.5	5.5	64	60	57
MXB-1220-33	Barrier Strip	0.02	20.0	17.0	14.0	10.0	80	76	72
MXB-1230-33	Barrier Strip	0.01	30.0	22.0	22.5	16.5	117	111	106
MBS-1330-33	Lug	0.02	30.0	30.0	25.5	18.0	184	174	166

**Notes:**

1. All models meet safety agency approvals per UL, CSA and VDE except the MBS-1330-33 which meets UL and CSA only.
2. Maximum Voltage Rating: 250VAC, 250VDC
3. Leakage: 1.0mA @250V, 0.5mA @125V
4. Insulation: R min = 100 Mohm

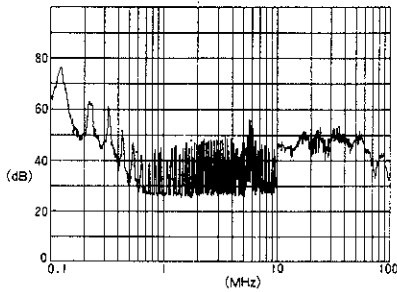
# EMI FILTERS SCHEMATICS & ATTENUATION CURVES

## SCHEMATICS

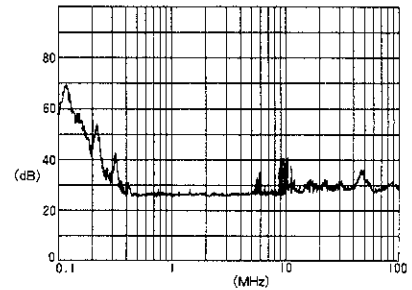


## ATTENUATION CURVES

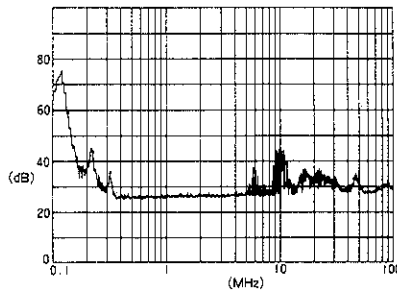
POWER SUPPLY ALONE



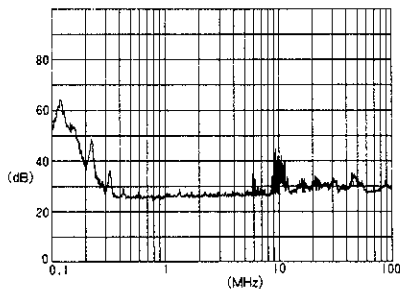
POWER SUPPLY WITH **MXB-1210-33**



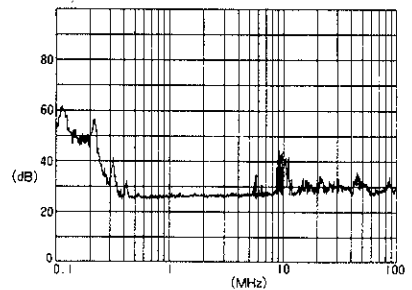
POWER SUPPLY WITH **MXB-1206-33**



POWER SUPPLY WITH **MXB-1220-33**



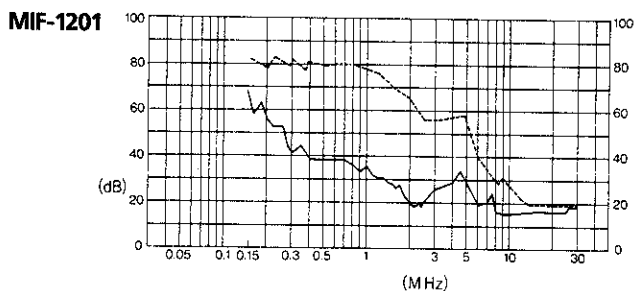
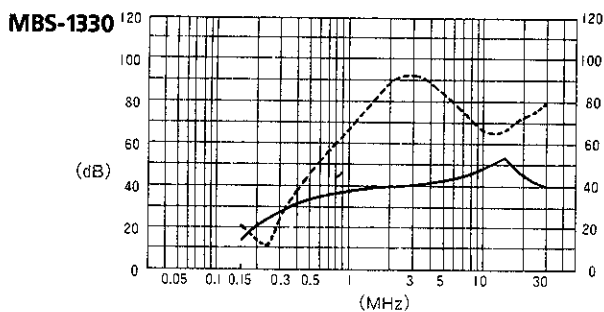
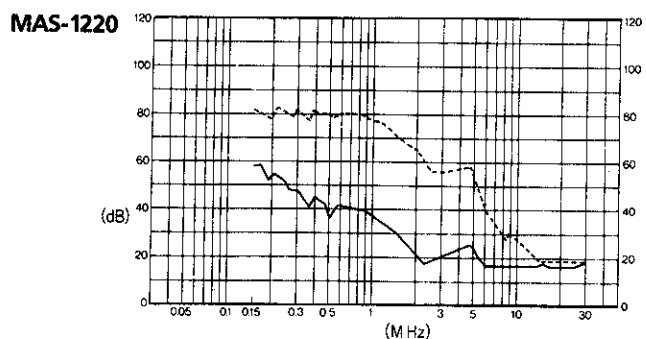
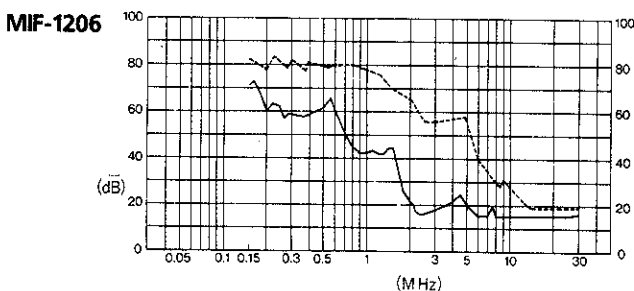
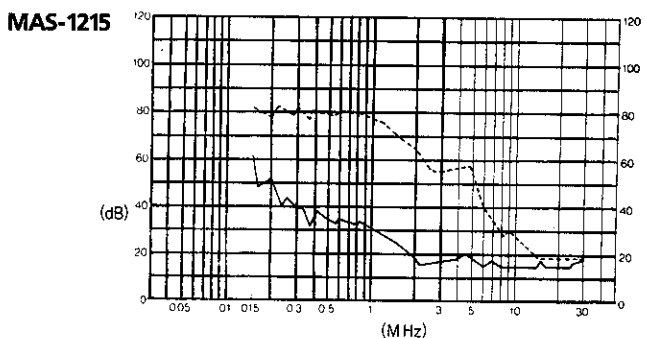
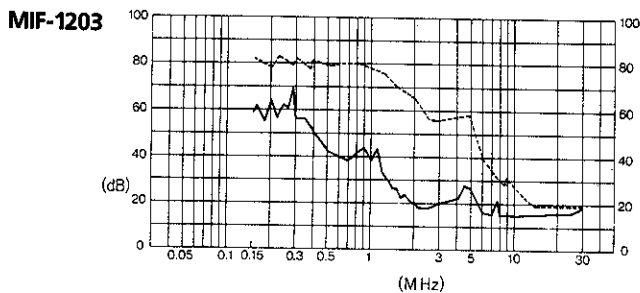
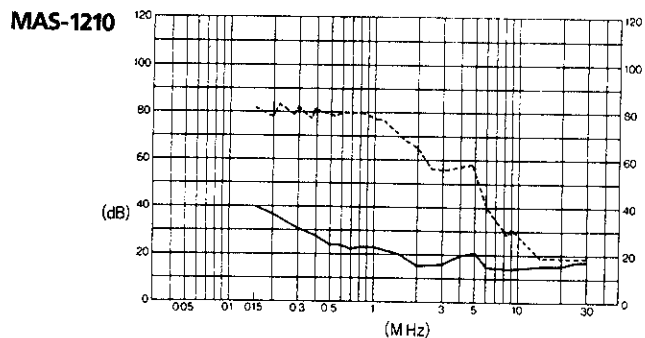
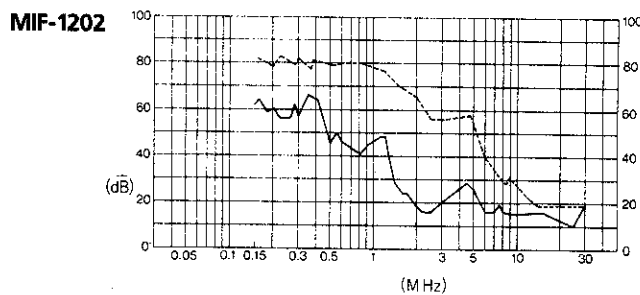
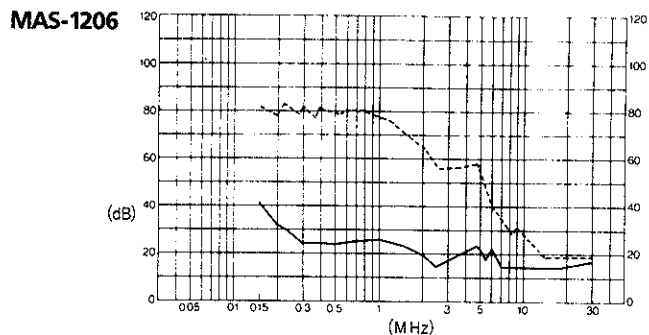
POWER SUPPLY WITH **MXB-1230-33**



Accessories

# Part IV – Accessories

## EMI FILTERS ATTENUATION CURVES



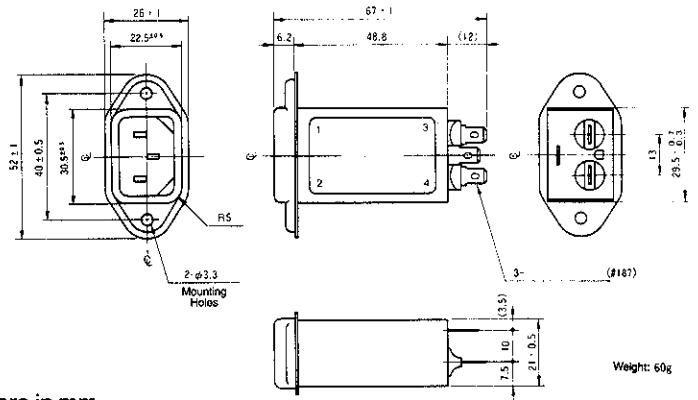
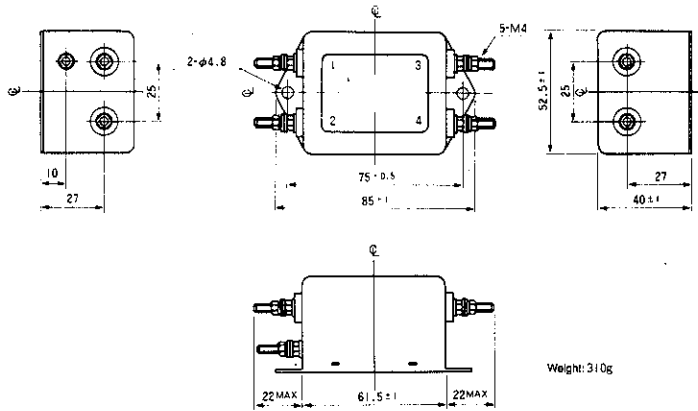
--- Differential mode  
 — Common mode

NOTE: The Attenuation Curves show the power supply (---) and power supply with filter (—) on the MAS-1206, MAS-1210, MAS-1215, MAS-1220, MIF-1201, MIF-1202, MIF-1203, MIF-1206. The Attenuation Curve on the MBS-1330 shows the differential mode (---) and common mode (—).

# EMI FILTERS MECHANICAL DRAWINGS

MAS-1206-33  
MAS-1210-33  
MAS-1215-33  
MAS-1220-33

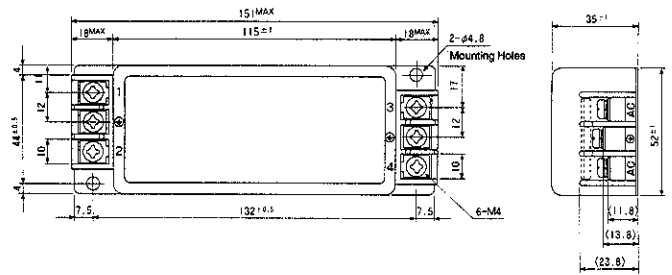
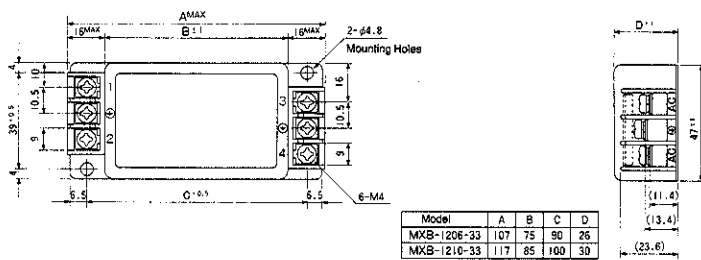
MIF-1201-33  
MIF-1202-33  
MIF-1203-33  
MIF-1206-33



Dimensions are in mm.

MXB-1206-33  
MXB-1210-33

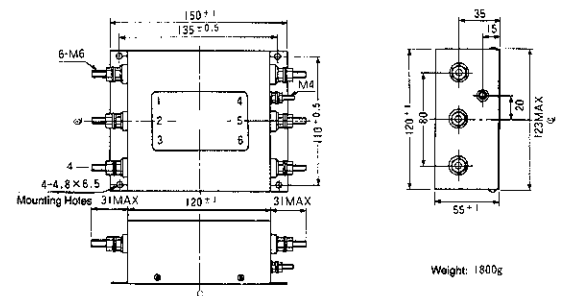
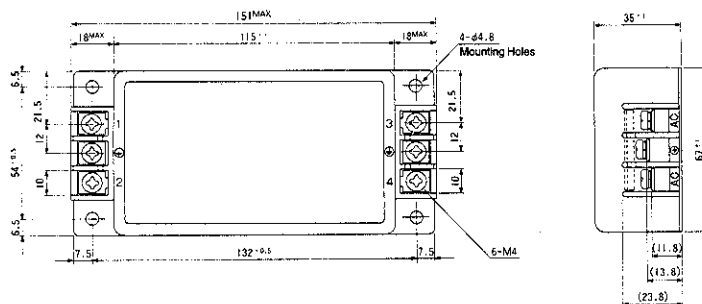
MXB-1220-33



Dimensions are in mm.

MXB-1230-33

MBS-1330-33



Dimensions are in mm.