

10 Watt, surface-mount DC-DC Converters

- ◆ Surface Mount Industry Standard Package
- ◆ Low voltage outputs to 1.2V
- ◆ Designed for telecom standards
- ◆ Output voltage adjustment
- ◆ Remote On / Off, trim, and Module Good signals
- ◆ Suitable for parallel connection

Key Market Segments & Applications

Central Office:	ATM, Sonet, DSL, Frame relay
Broadband:	Switching Equipment, Routers
Wireless/Cellular:	Micro cell, Pico cell
Remote Electronics:	Fixed Local Loop, Fiber Optic Transmission, Microwave Transmission, Wireless Local Loop
Customer Premise:	PBX, PABX, Datacomm, Voice Systems, Video Conferencing
Test & Measurement:	Burn-in & Test, Automated Test, Detection

PG10 Features and Benefits

Feature

- ◆ Surface Mount Package
- ◆ Industry standard package
- ◆ Parallel, Alarm Signal, Remote On / Off
- ◆ Global safety agency approvals

Benefit

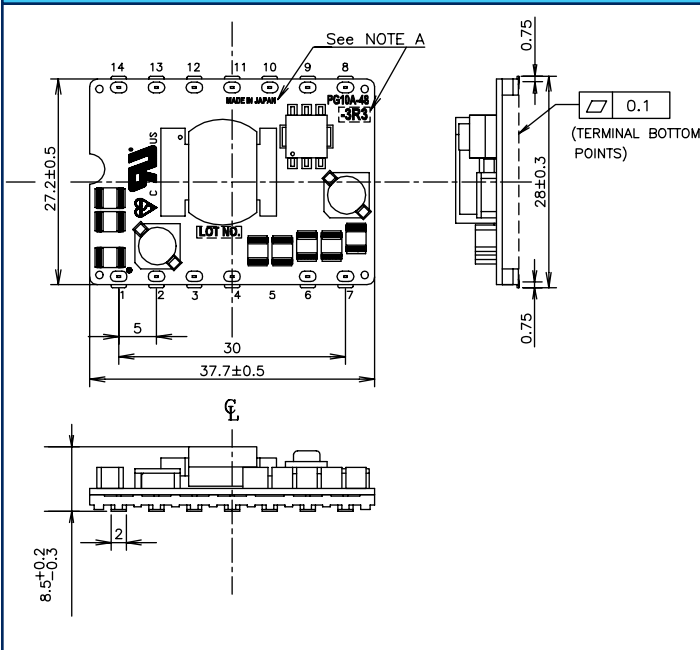
- ◆ Machine placement
- ◆ Supports multiple sourcing
- ◆ Enhances system use
- ◆ Supports worldwide use

Specifications

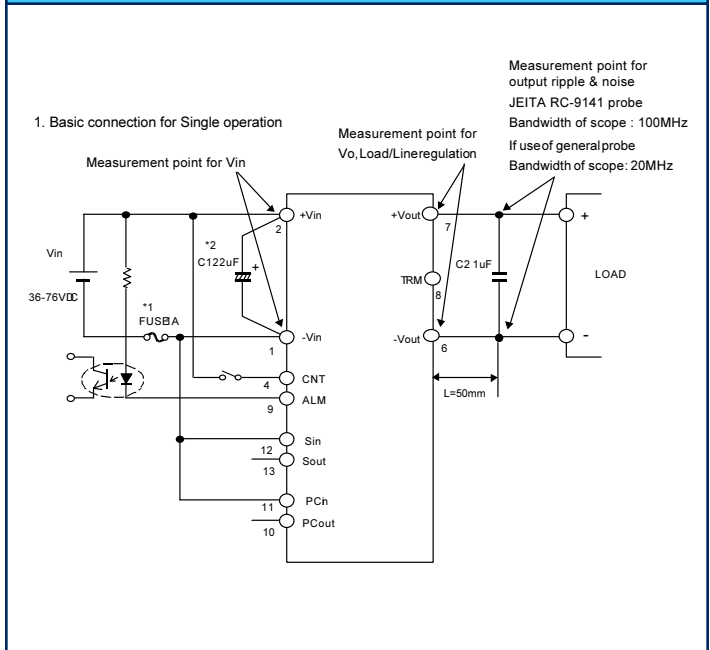
Note: See Installation Manual for full details, test methods of parameters and application notes

MODEL		PG10A48-1R2	PG10A48-1R5	PG10A48-1R8	PG10A48-2R5	PG10A48-3R3	PG10A48-5
ITEMS							
Nominal Output Voltage	VDC	1.2	1.5	1.8	2.5	3.3	5
Output Current (Max)	A	3.5	3.5	3	3	3	2
Max Output Power	W	4.2	5.25	5.4	7.5	9.9	10
Efficiency (Typ)	%	79	81	82	84	86	88
Input Voltage range	VDC	36 - 76V					
Input Current (typ)	A	0.111	0.135	0.137	0.186	0.24	0.237
Output Voltage Accuracy	%	±1					
Output Voltage Adjustment	%	1.14 - 1.26	1.425 - 1.575	1.71 - 1.89	2.375 - 2.625	3.135 - 3.465	4.75 - 5.25
Max Ripple / Noise	mV	30 / 100 (Under specified conditions)					
Max Line Regulation	mV	10	10	10	20	30	50
Max Load Regulation	mV	75					
Overcurrent Protection	-	> 105%					
Overvoltage Protection	-	110 - 140%					
Remote On / Off	-	Open connection = Power Supply Off, connect to +Vin to enable output					
Parallel Connection	-	Yes, up to five units					
Module Good Signal	-	Open collector signal, goes low during overcurrent or overvoltage conditions					
Operating Temperature	°C	-40°C to +85°C ambient with 0.5m/s forced air					
Operating Humidity	-	30 - 95% Non condensing					
Storage Temperature	°C	-40°C to +100°C (after installation)					
Storage Humidity	-	30 - 95% Non condensing (after installation)					
Cooling	-	Convection, or forced air					
I/O Isolation Voltage	VDC	Input to Output 1500VDC					
Vibration (non operating)	-	10 - 55Hz (1 minute), amplitude 0.825mm (49m/s ² max), X, Y, Z 1 hour each					
Shock	-	196.1 m/s ²					
Safety Agency Approvals	-	UL1950, CSA950, EN60950, & CE					
Weight (Typ)	g	12					
Size (WxDxH)	mm	28 x 8.7 x 37.7					
Warranty		1 Year					

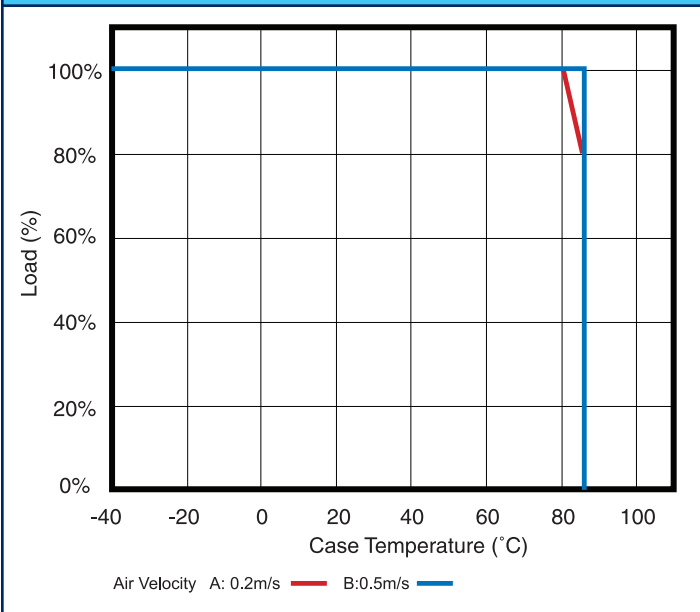
Outline Drawing



Connection Diagram



PG10 Derating Curve



Other Lambda DC-DC Products

X	10, 15, & 20W 24V & 48VDC input DC-DC converters
PAF	500 & 600W Full brick DC-DC
PAH	50W to 200W Half brick DC-DC
PAQ	Up to 100W Quarter brick DC-DC
SX	20W surface mount 24V & 48VDC-DC

For Additional Information, please visit
www.lambdapower.com/products/pg10a-series.htm