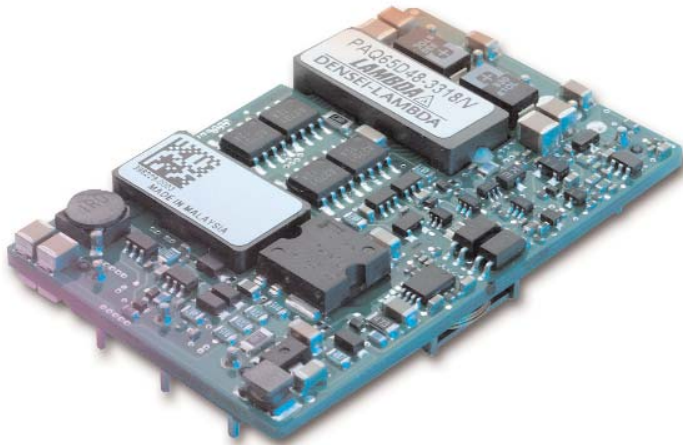




PAQ65D48 Series

High Efficiency Dual Output Quarter Brick DC-DC Converters



- ◆ Industry Standard Package
- ◆ Low voltage outputs to 1.8V
- ◆ Output Currents up to 17A
- ◆ Designed for telecom standards
- ◆ Output voltage adjustment - independent or tracking (/C)
- ◆ Remote On / Off

Key Market Segments & Applications

Central Office	ATM, Sonet, DSL, Frame relay
Broadband	Switching Equipment, Routers
Remote Electronics	Optical Fibre, Microwave
Customer Premise	PBX, PABX, Datacomm
Distributed Power Applications	

PAF Features and Benefits

Feature	Benefit
◆ High Efficiency	◆ Reduces System Heating
◆ Independent Output Adjustment versions	◆ Optimized output setting
◆ ASIC Design	◆ Reduced component count, increased MTBF
◆ No minimum load	◆ Easier use, less external components

Specifications

ITEMS		MODEL	PAQ65D482518		PAQ65D483318		PAQ65D483325		PAQ65D485033	
			V01	V02	V01	V02	V01	V02	V01	V02
Nominal Output Voltage	VDC		2.5	1.8	3.3	1.8	3.3	2.5	5.0	3.3
Output Current (Max)	A		15	17	15	17	15	17	13	16
Output Current (Max total)	A		Io1 + Io2 = 18							
Max Output Power	W		37.5		49.5		49.5		65.0	
Efficiency (Typ)	%		86.0		86.0		87.0		90.0	
Input Voltage range	VDC		36 - 76V							
Input Current (typ)	A		0.82		0.97		1.10		1.36	
Output Voltage Accuracy	%		±2							
Output Voltage Trim Range (1)	VDC		2.25-2.75	1.62-1.98	2.97-3.63	1.62-1.98	2.97-3.63	2.25-2.75	4.50-5.50	2.97-3.63
Max Ripple & Noise	mV		75	75	100	75	100	75	100	100
Max Line Regulation	mV		± 6.6							
Max Load Regulation	mV		± 16.5							
Overcurrent Protection (OCP) (2)	%		105 - 160% (See options table for either manual or automatic reset)							
Overvoltage Protection (OVP)	%		120 - 140% (See options table for either manual or automatic reset)							
Remote On / Off	%		Low = ON, Open = OFF /P option; Low = OFF, Open = ON (See options)							
Operating Temperature	°C		-40°C to +85°C							
Operating & Storage Humidity	-		5-95% RH, Non condensing							
Storage Temperature	°C		-40°C to +100°C							
Cooling	-		Convection, or forced air							
I/O Isolation Voltage	-		Input to Output 1.5k VDC for 1 min.							
Vibration (non operating)	-		10 - 55Hz (1 minute), amplitude 0.825mm (49m/s ² max), X, Y, Z 1 hour each							
Shock	m/s ²		196.1 m/s ²							
Safety Agency Approvals	-		UL1950, CSA950, EN60950, & CE							
Weight (Typ)	g		40							
Size (WxHxD)	mm		36.8 x 8.9 x 57.9 (36.8 x 10.2 x 57.9 /C version)							
Warranty	yr		2 Years							

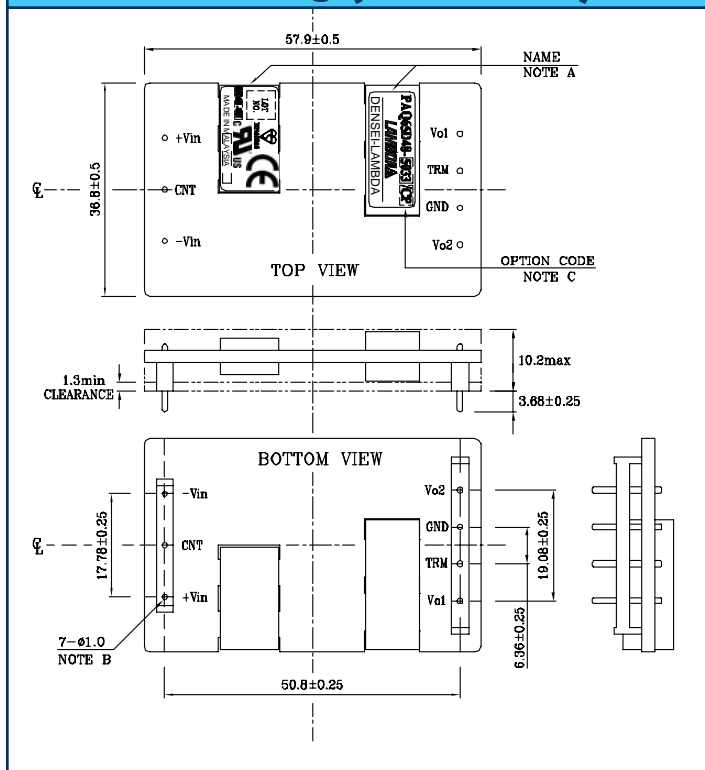
Note: See Installation Manual for full details, test methods of parameters and application notes.

1. Specify /C option for one trim pin - tracking outputs, leave blank for individual adjustment

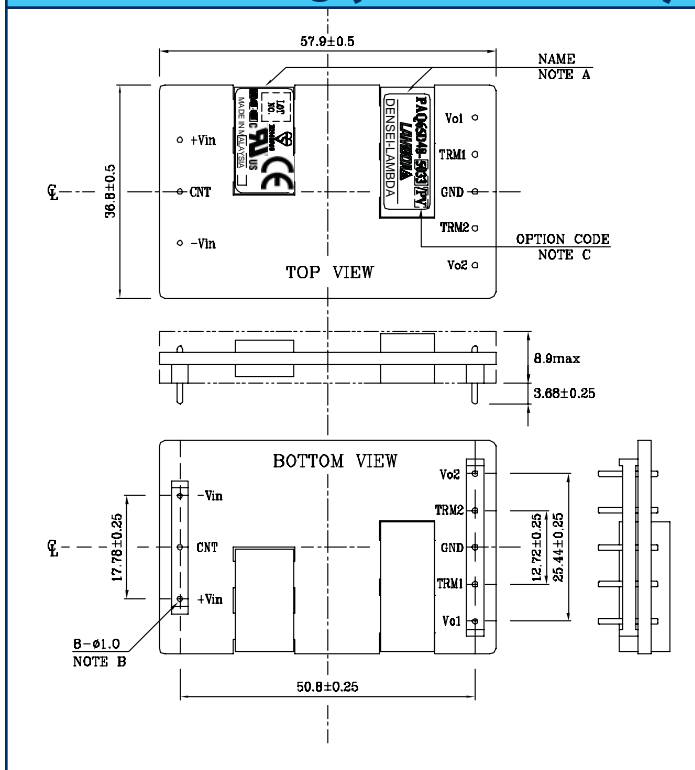
2. Io1 + Io2

LAMBDA PAQ65D48 Series

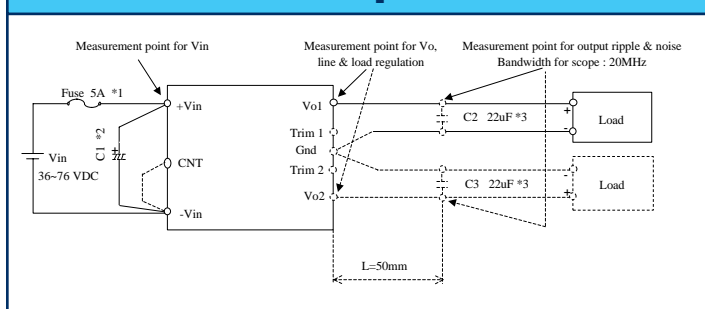
Outline Drawing (/C versions)



Outline Drawing (non /C versions)



Connection Example



For Additional Information, please visit
www.lambdapower.com/products/paq-series.htm

Options

Suffix	Trim Pin	On/Off Logic	OVP / OCP
Blank	Independent	Negative, short = ON Positive, Open = ON	Manual Reset
/ P	-	-	-
/ V	-	-	Auto-restart
/ C	Tracking	-	-

/V, /PV, /CV, /CPV are US Standard US stock items
 Note suffix letter order : /C followed by P followed by V

Other Lambda DC-DC Products

- X 10, 15, & 20W 24V & 48VDC input DC-DC converters
- PAF 500 & 600W Full brick DC-DC
- PAH 50W to 200W Half brick DC-DC, single & dual outputs
- PAQ Up to 100W Quarter brick DC-DC, single outputs
- SX 20W surface mount 24V & 48VDC-DC