

INSTRUCTION MANUAL
REGULATED POWER SUPPLIES
LSS-39 SERIES

DC OUTPUT - Voltage regulated for line and load. For voltage and current ratings see table I below.

TABLE I

MODEL	VOLTAGE RANGE	MAXIMUM CURRENT (AMPS) AT AMBIENT TEMPERATURE		
		40°C	50°C	60°C
LSS-39-5	5 ± 5%	30.0	30.0	15.0
LSS-39-6	6 ± 5%	25.0	25.0	12.5
LSS-39-12	12 ± 5%	12.5	12.5	6.25
LSS-39-15	15 ± 5%	10.0	10.0	5.0
LSS-39-24	24 ± 5%	6.5	6.5	3.25

Current range must be chosen to suit the appropriate ambient temperature. Current ratings apply for entire voltage range.

REGULATED OUTPUT

Regulation, line 0.4% all outputs, all models from 85-132VAC.
 Regulation, load 0.8% all outputs, all models from zero to full load and from full load to zero.
 Ripple and Noise 120mV on 5 and 6 volt units, 150mV on 12 and 15 volt units, 200mV on 24 volt units.
 Temperature Coefficient 0.02%/°C

AC INPUT

Line 85-132VAC, 47-440Hz
 Efficiency (typical)
 5 and 6 volt units 78%
 12 and 15 volt units 80%
 24 volt units 82%

DC INPUT - 110-175VDC

OVERSHOOT - None at turn-on, turn off or power failure.

INPUT FUSE - Fuse F1, 8A Slo-Blo, in AC input line protects the input wiring to the power supply. Overload of power supply does not cause fuse failure.

AMBIENT OPERATING TEMPERATURE AND COOLING - Convection cooled. No fans or blowers needed for continuous operation from 0°C to 60°C with suitable derating above 50°C as shown in Table I.

REMOTE SENSING - Provision is made for remote sensing to eliminate the effects of power output lead resistance on DC regulation.

STORAGE TEMPERATURE - -30°C to 85°C

OUTPUT STATUS INDICATOR - L.E.D. indicates presence of output voltage.

DC OUTPUT CONTROLS - Simple screw driver adjustment provides +/-5% setting over the entire voltage range.

OVERCURRENT PROTECTION - Automatic electronic current limiting circuit limits the output current to a preset value, thereby providing protection for the load as well as the power supply. Sustained overloads or short circuits for more than 30 seconds may cause power supply damage.

OVERVOLTAGE PROTECTION - Overvoltage protection is standard on all models. If output voltage increases above a preset level, inverter drive is removed.

MOUNTING - One mounting surface, one mounting position. Some derating may be required for horizontal mounting position.

INPUT AND OUTPUT CONNECTIONS - All input and output connections are made through barrier strip terminals.

STORAGE HUMIDITY - 10-95% RH

OPERATING HUMIDITY - 30-90% RH

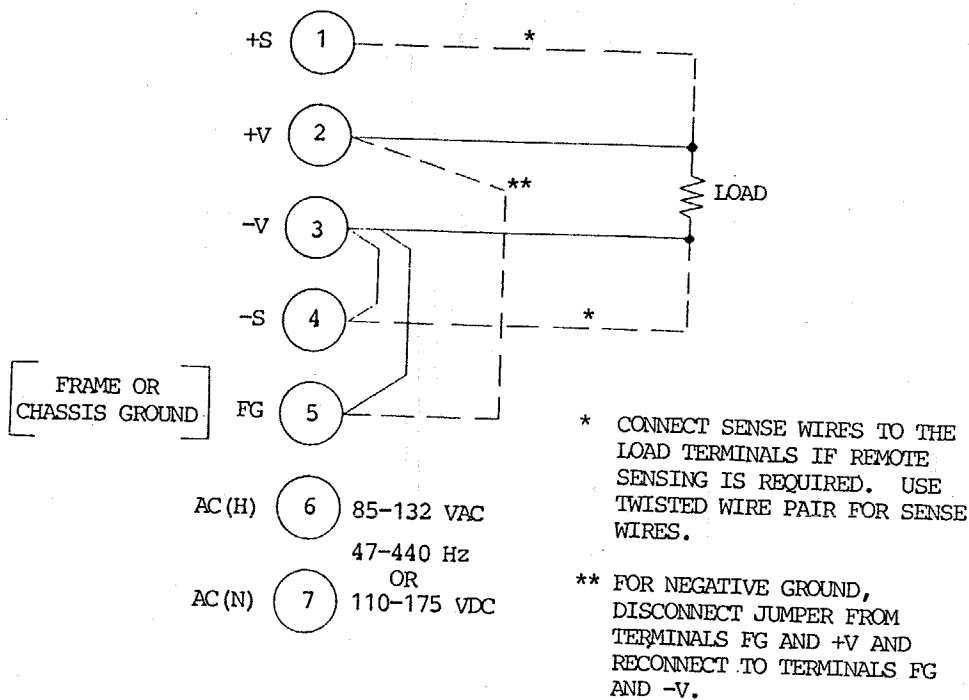
IN-RUSH CURRENT - 15A typical

POWER FAILURE - 5 and 6 volt units will remain within regulation limits for at least 16.7 msec after loss of AC power when operating at full load, nominal output voltage and 100VAC input voltage.

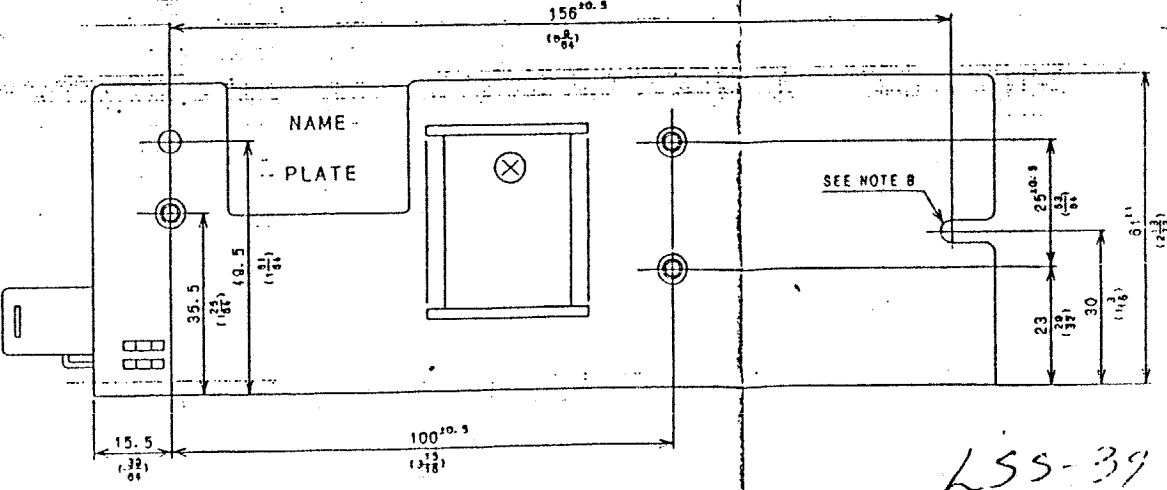
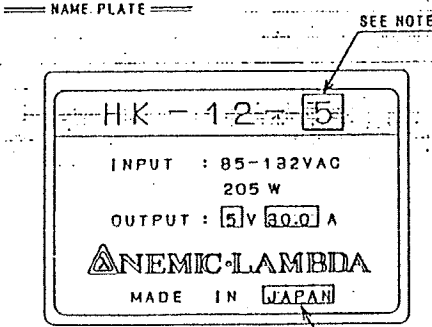
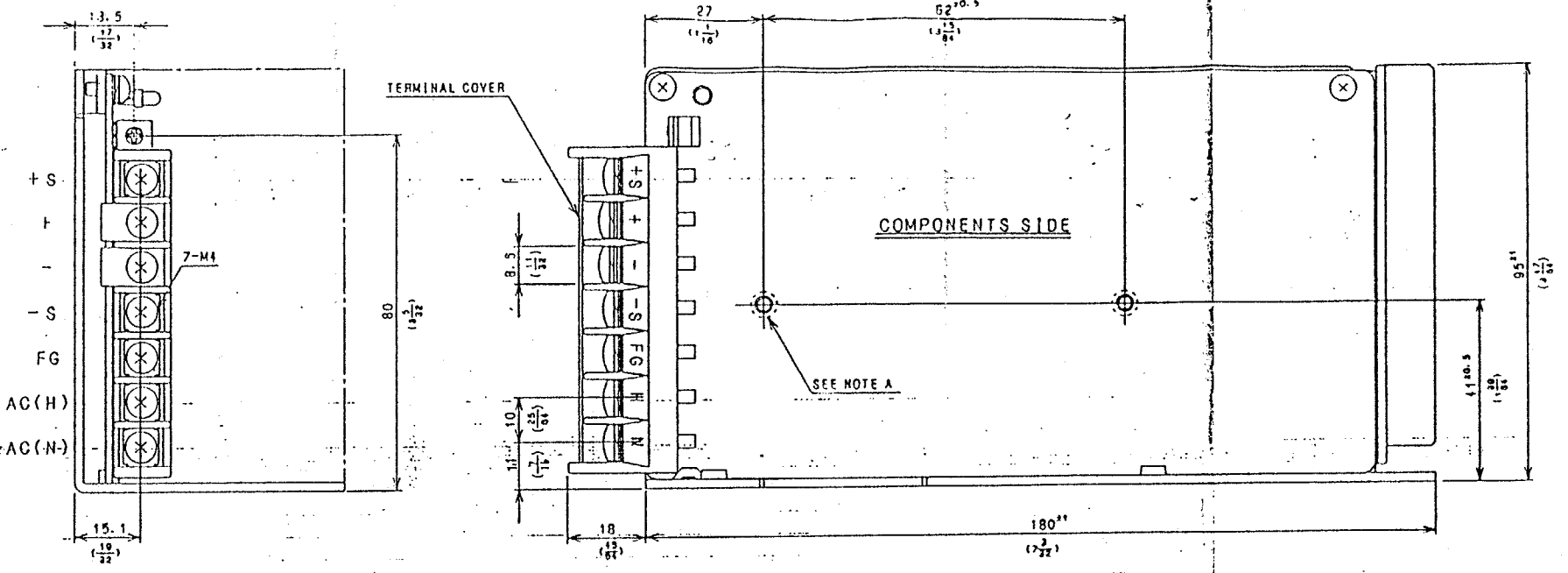
PHYSICAL DATA

Size 2.56" X 3.74" X 7.09"
 Weight 2 lb 5.0 oz
 Finish Aluminium

WARRANTY - One year warranty includes labor as well as parts.



DC Output Connection Diagram



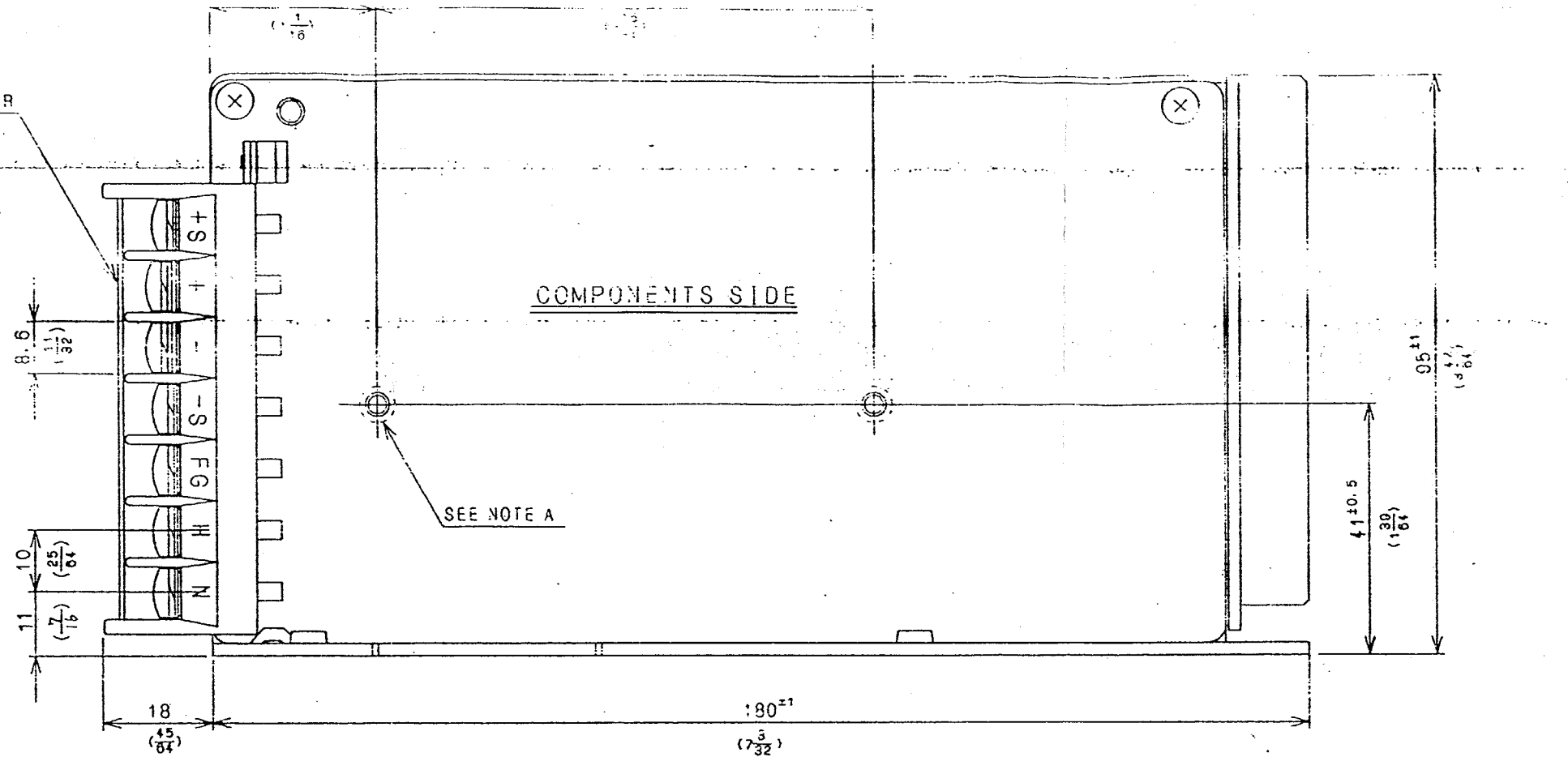
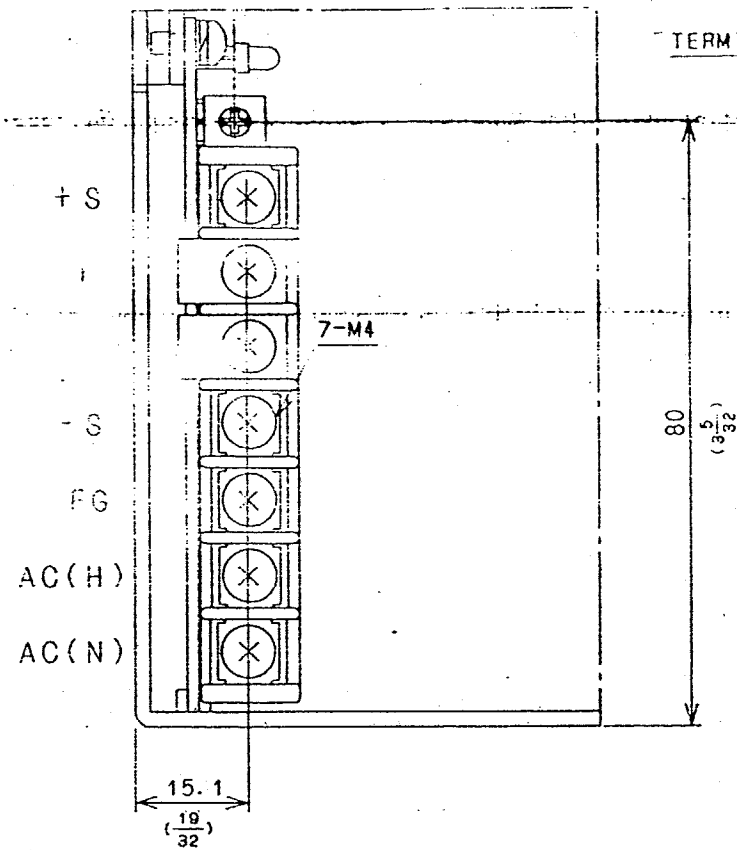
- NOTES**
- A: M tapped holes (5) for customer chassis mounting.
[Screws must not protrude into power supply by more than 0.5mm (15/64).]
 - B: #4.5 holes (2) for customer chassis mounting.
 - C: Model name and nominal output voltage and maximum output current are shown here in accordance with the specifications.
 - D: Country of manufacture will be shown here.

ACCESSORIES

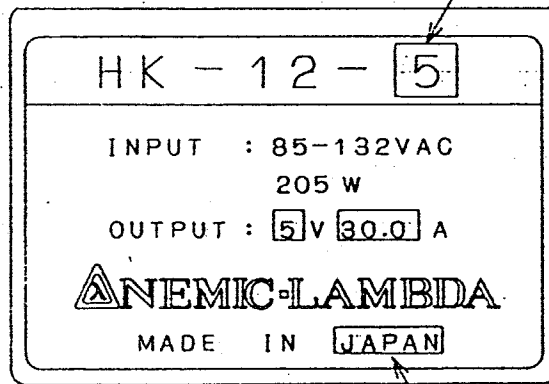
Metal plate for shorting purposes (2pcs)

DRAWN BY 番場	CHECKED BY 近藤	APPROVED BY 関	SCALE 1/1	MATERIALS	TITLE OUTLINE DRAWING
ISSUED 61.6.5	61.6.5	61.8.26	UNITS mm (INCH)	FINISH	
			3RD ANGLE PROJECTION	DRAWING No.	

L55-39

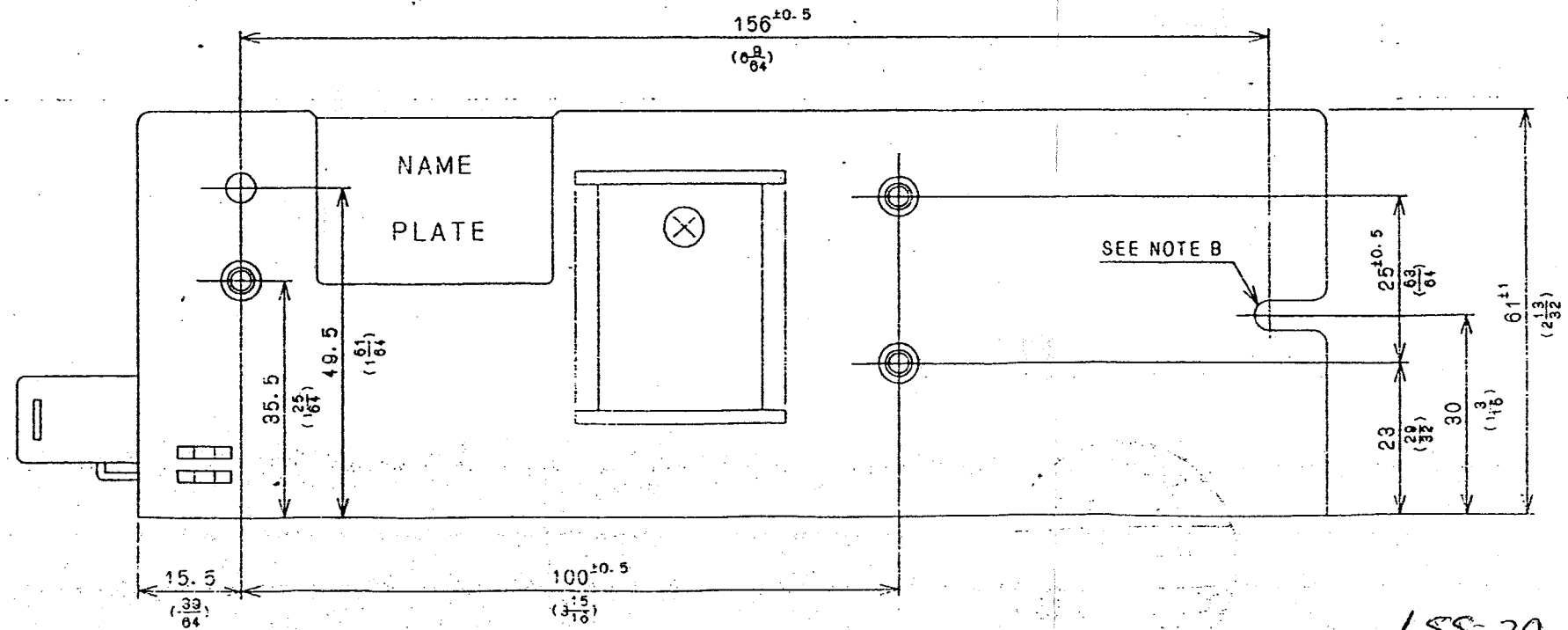


NAME PLATE



SEE NOTE C

SEE NOTE D



NOTES

A: M4 tapped holes (5) for customer chassis mounting.

Screws must not protrude into power supply by more than 6 mm (15/64).

B: $\phi 4.5$ holes (2) for customer chassis mounting.

C: Model name and nominal output voltage and maximum output current are shown here in accordance with the specifications.

D: Country of manufacture will be shown here.

ACCESSORIES

Metal piece for shorting purposes (2pcs)

LSS-39

DRAWN BY 6/25/5	CHECKED BY 6/25/5	APPROVED BY 6/25/5	SCALE 1/1	MATERIALS	TITLE HK-12
ISSUED 6/25/5			UNITS mm (INCH)	FINISH	OUTLINE DRAWING
			3RD ANGLE PROJECTION		DRAWING No. 4042-02-01